

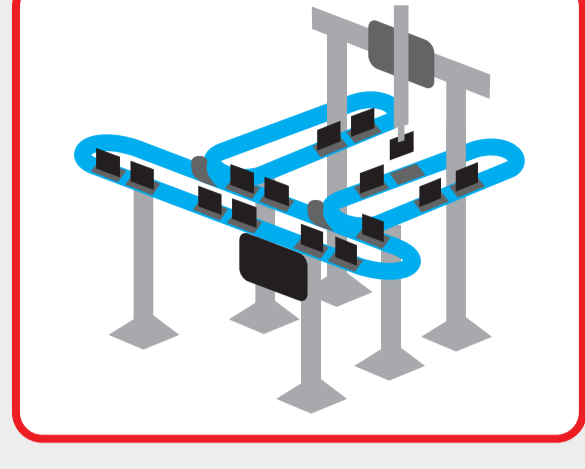
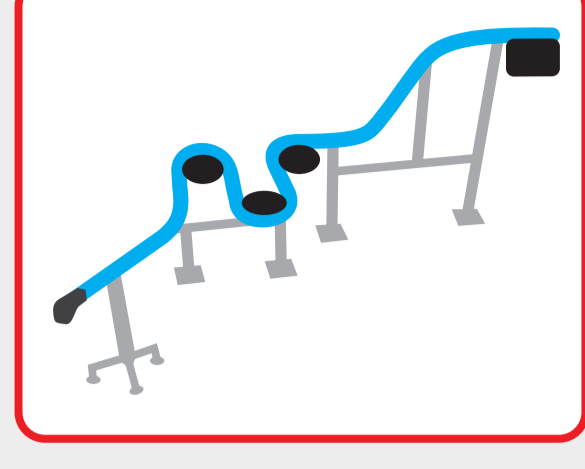
# Flexible Flat Top Chain CONVEYOR GUIDE

## FOR PRODUCTS OR PALLETS

### PRODUCT HANDLING

&

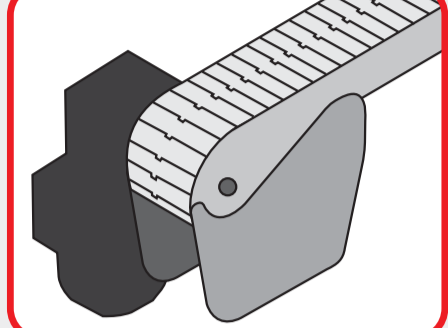
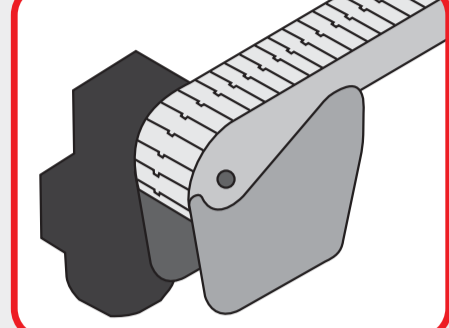
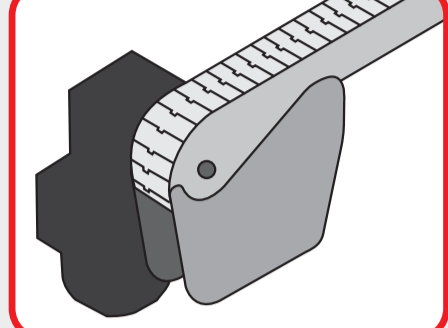
### PALLET HANDLING



Convey product in three-dimensional space. Used to move product horizontally, around corners, change elevations and so much more.

Conveying product on a pallet makes it easier to precisely stop and locate the product. It is also ideal for conveying irregular shapes.

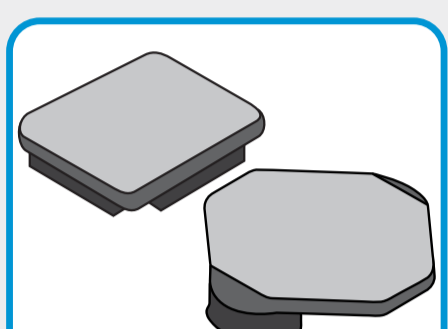
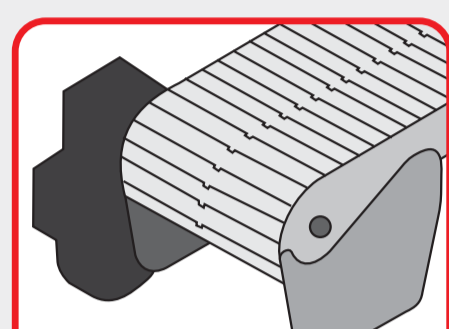
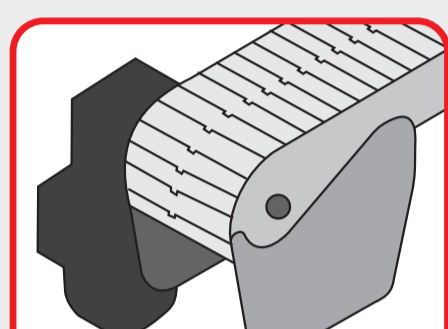
## THEY COME IN DIFFERENT WIDTHS



Chain Width 63 mm  
VersaFlex A06  
Product Width 15 to 144 mm  
Loads up to 330 lbs

Chain Width 83 mm  
VersaFlex A08  
Product Width 20 to 200 mm  
Loads up to 440 lbs

Chain Width 103 mm  
VersaFlex A10  
Product Width 25 to 300 mm  
Loads up to 440 lbs

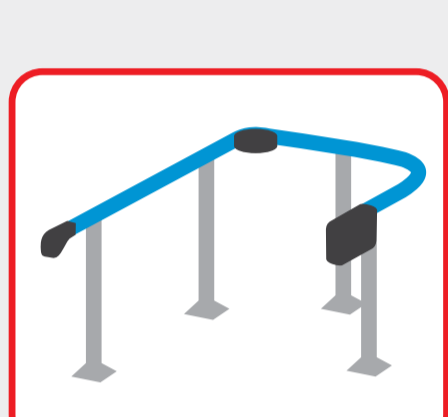


Chain Width 175 mm  
VersaFlex A17  
Product Width 70 to 400 mm  
Loads up to 440 lbs

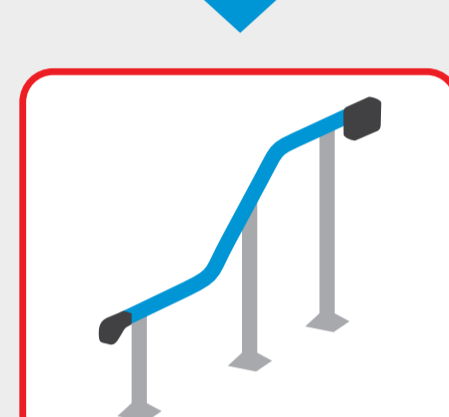
Chain Width 295 mm  
VersaFlex A29  
Product Width 70 to 400 mm  
Loads up to 440 lbs

Pallet Handling  
VersaFlex P08  
Pallet Length up to 300 mm  
Loads up to 66 lbs per pallet

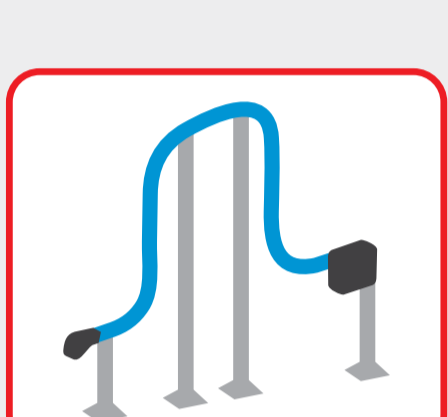
## A WIDE VARIETY OF CONFIGURATIONS



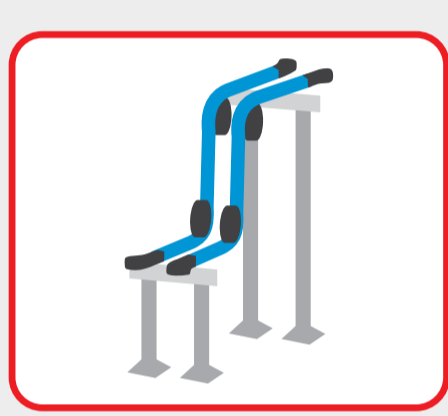
HORIZONTAL



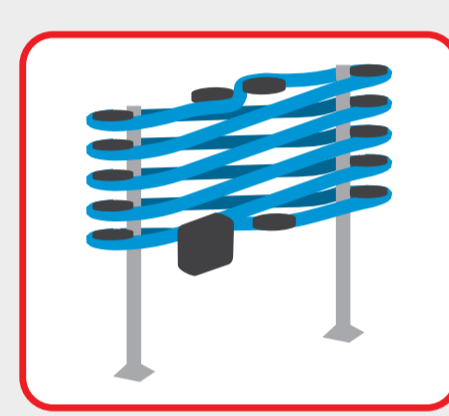
INCLINE



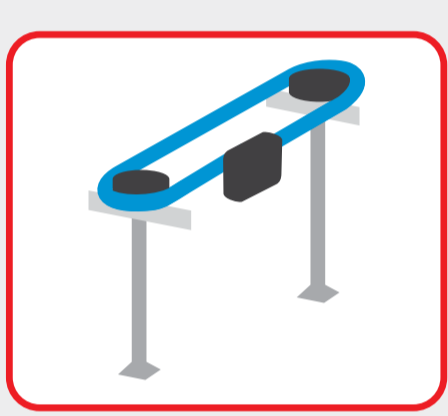
VERTICAL



WEDGE



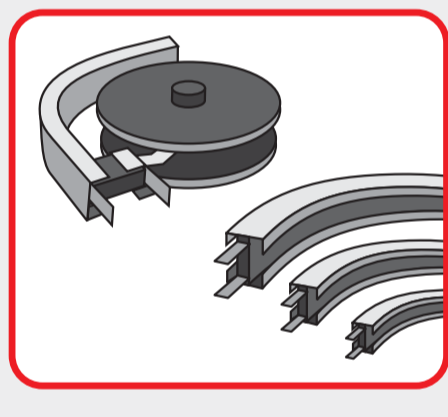
ALPINE



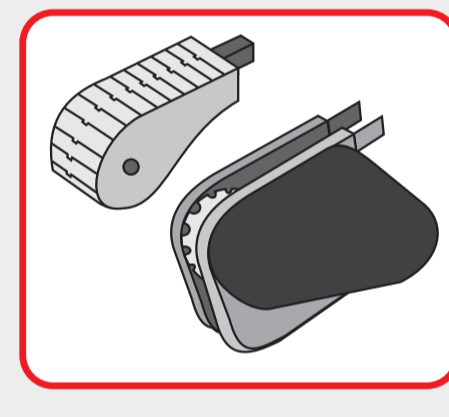
RECIRCULATING

## FEATURING A VARIETY OF MODULES: CURVES, BENDS, CHAINS AND MORE

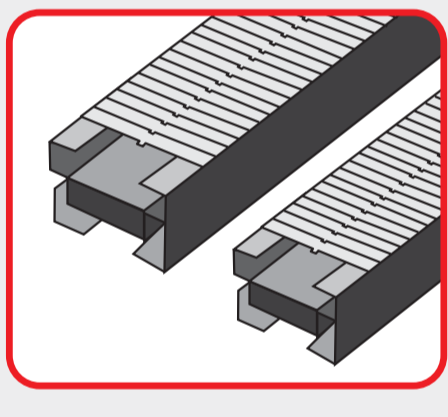
### IDEAL FOR MOVING PRODUCT IN THREE-DIMENSIONAL SPACE



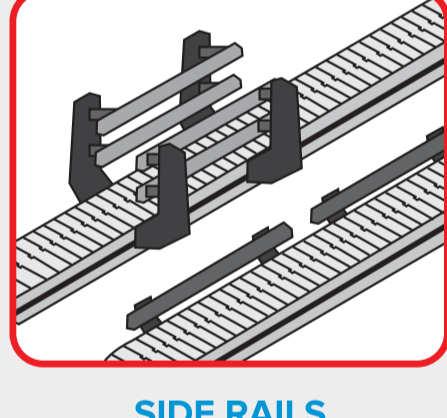
CURVES & BENDS



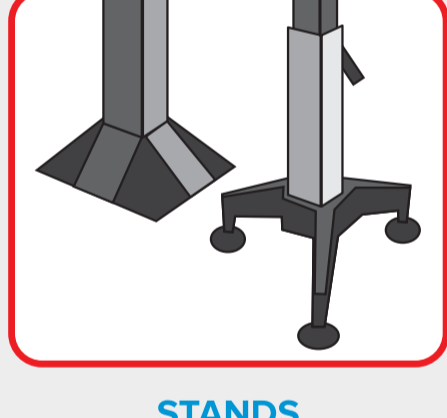
DRIVES & IDLERS



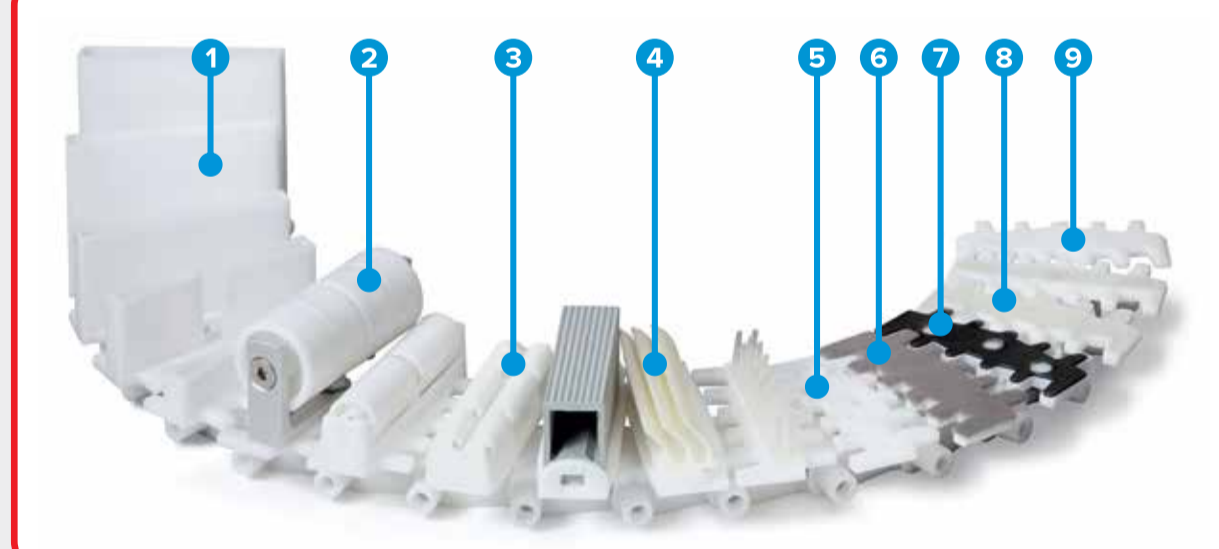
PROFILES & WEAR STRIP



SIDE RAILS



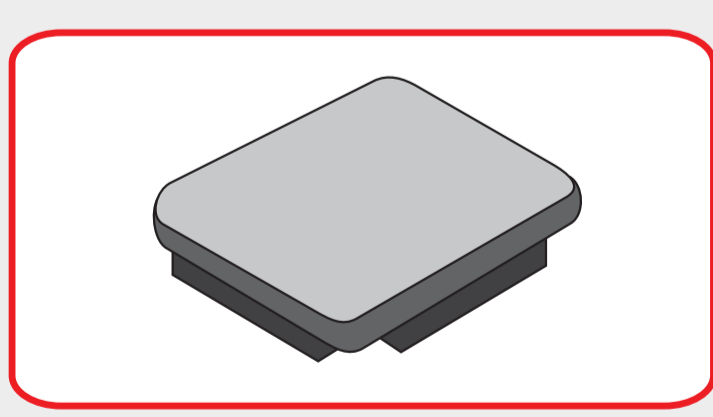
STANDS



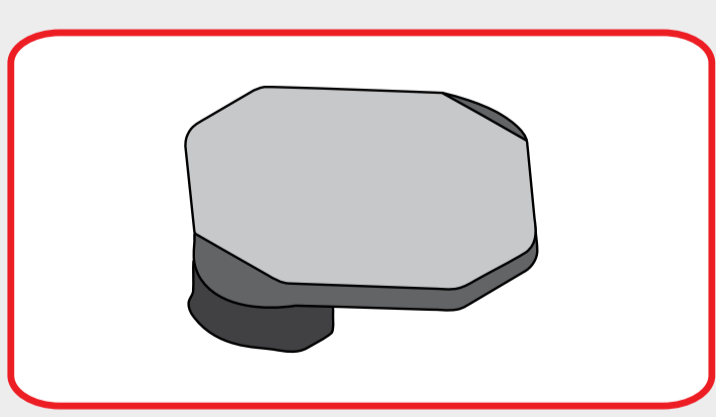
### CHAINS & CLEATS

- 1 Cleated chain (standard, vertical flights, flexible)
- 2 Roller chain
- 3 Roller top chain
- 4 Side gripping
- 5 Chain for attachments (with embedded magnets)
- 6 Flocked chain (for very delicate items)
- 7 Steel top chain (for sharp edged parts)
- 8 Chain with adhesive surface (for inclines)
- 9 Plain chain

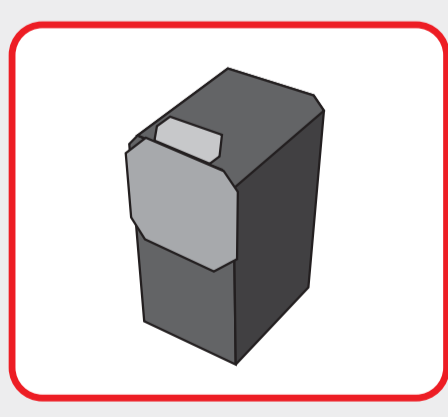
### PALLET CONVEYOR MODULES



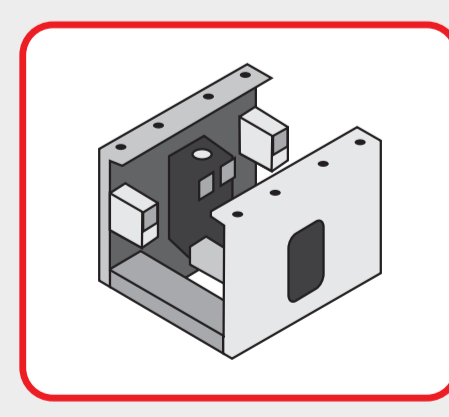
PALLET 150 X 150 MM (MIN)



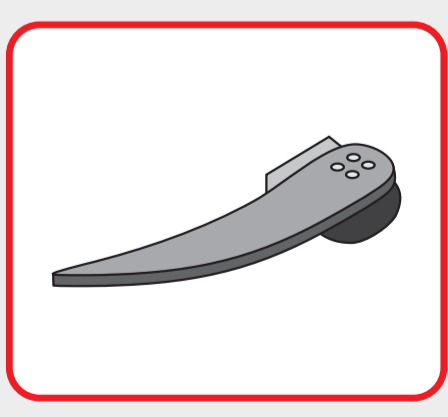
PALLET 300 X 300 MM (MAX)



PALLET STOP



LIFT AND LOCATE



PALLET DIVERTER

## ADVANTAGES OF VERSAFLEX CONVEYORS

As shown in this guide, VersaFlex by mk North America is a flexible flat top chain conveyor that can be used in piece-handling and pallet-handling applications. Able to convey product in three-dimensional space, and move it not only between various processes but also between different elevations.

- ▶ Suitable for all industries
- ▶ Economical solution for complex layouts
- ▶ Simple and fast configuration and commissioning
- ▶ User friendly and low maintenance
- ▶ Compatible with similar systems in the marketplace



Need help finding the conveyor that fits your needs? Contact us and our experienced sales staff will be happy to assist you.