



Technical  
Documentation

# CIC-200 INCLINE BELT CONVEYOR CLEANMOVE STANDARD

Each serial number is unique to that specific unit and provides mk North America with complete order details.

The serial number is located on the frame of the conveyor. See section 2 for more details.

---

# Technical Documentation

## CIC-200

1	General Information	3
2	Decoding Your Serial Number	4
3	Conveyor Description	6
4	Warranty Information	7
5	Safety Requirements	8
6	Wear Items & Maintenance	9
7	Conveyor Maintenance - Belt Tensioning, Tracking & Replacement	12
8	Notes & Contact Information	13
8.2	Contacting mk North America, Inc.	14

# 1 GENERAL INFORMATION

---

## 1.1 Foreword

Congratulations on purchasing a conveyor from mk North America, Inc., a leading manufacturer of quality low profile conveyors. Our more than 30 years experience in material handling allows us to offer robust solutions with long life and reliable operation. We strive to make the best products in the industry even better and we are committed to making sure our customers get top notch support before, during, and after each and every sale.

## 1.2 The importance of reading your manual

Inside this manual you will find the instructions on how to set up and maintain your mk conveyor properly, as well as maximize its performance. Please take the time to read this manual and familiarize yourself with these set up and maintenance instructions. These instructions will help assure a long product life that requires a minimum amount of service and keeps your conveyor working at its maximum capacity.

## 1.3 If you need assistance

If you need assistance there are a variety of ways to get it. You can contact our customer service team Monday through Friday, 8am-5pm (Eastern Time) at (860) 769-5500. You can also visit our website for additional information and technical documentation at [www.mknorthamerica.com](http://www.mknorthamerica.com). In addition, your local representative can provide support in many instances.

## 1.4 When your shipment arrives

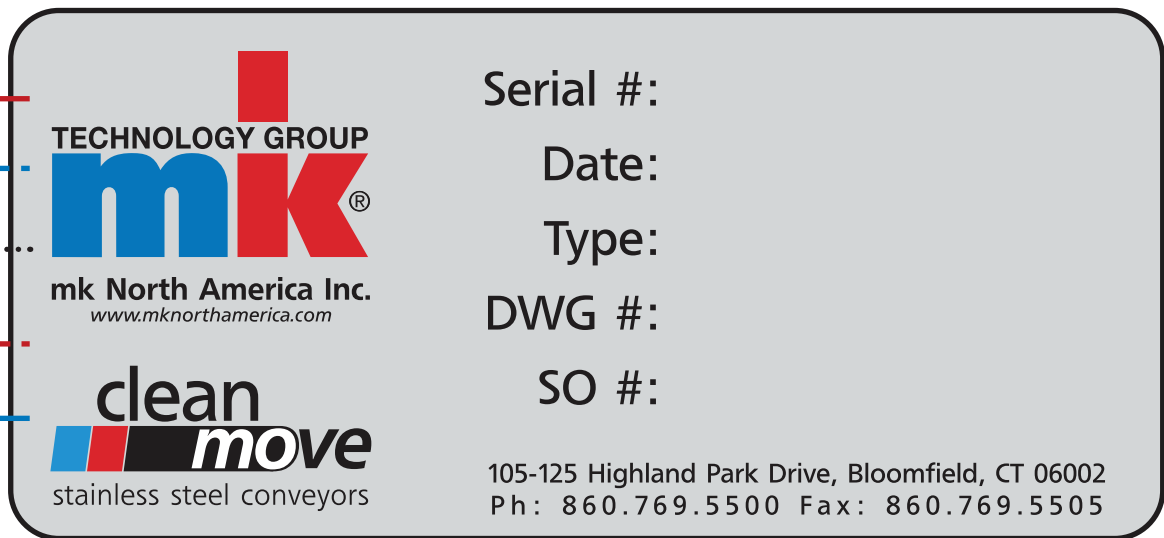
- 1) Check your shipment
  - a) If you have not already done so, visually inspect the shipping crate/container for any damage caused during shipment.
  - b) Carefully unpack the crate/container making sure to inspect the components for damage that may have occurred inside the packaging materials.
  - c) If you find any damage, please contact the carrier and mk North America, Inc.
  - d) Lastly, check the contents against the packing slip provided by mk for any discrepancies. If you should find any, please contact mk North America, Inc.
  
- 2) Locate your ordered items
  - a) Each mk conveyor will ship in its own custom built container, carefully packaged in the most economical way.
  - b) Review the packing slip against your Purchase Order.

# Technical Documentation

## CIC-200

### 2 DECODING YOUR SERIAL NUMBER

- The conveyor's serial number is located on the frame at the drive end of the conveyor; it is affixed to the black drive train cover which has the gearmotor mounted to the back plate.
- If there is no black drive train cover, the serial number is affixed to the frame.
- We have provided an area in the back of this manual for you to add any notes about this unit.



**Serial #:** This number is unique to this item. With this number we can access all of the original order details.

**Date:** This is the date that the unit was scheduled to ship.

**Type:** This description refers to the type of unit that is associated with the particular serial number. The type should NOT be substituted for the serial number when inquiring.

**DWG#:** This number, if applicable, refers to the specific drawing that was created for this unit. Not all orders require a drawing and therefore in some cases no DWG# is assigned. If your DWG# field is blank it is not a cause for concern.

**SO#:** This is the shop order number in which this unit was built. This is an mk North America, Inc. internal number. This number is also referenced on any related invoices, etc.

### 3 CONVEYOR DESCRIPTION

---

#### 3.1 Conveyor Description

##### 1.) Explaining the type of conveyor:

CIC



Style of Conveyor

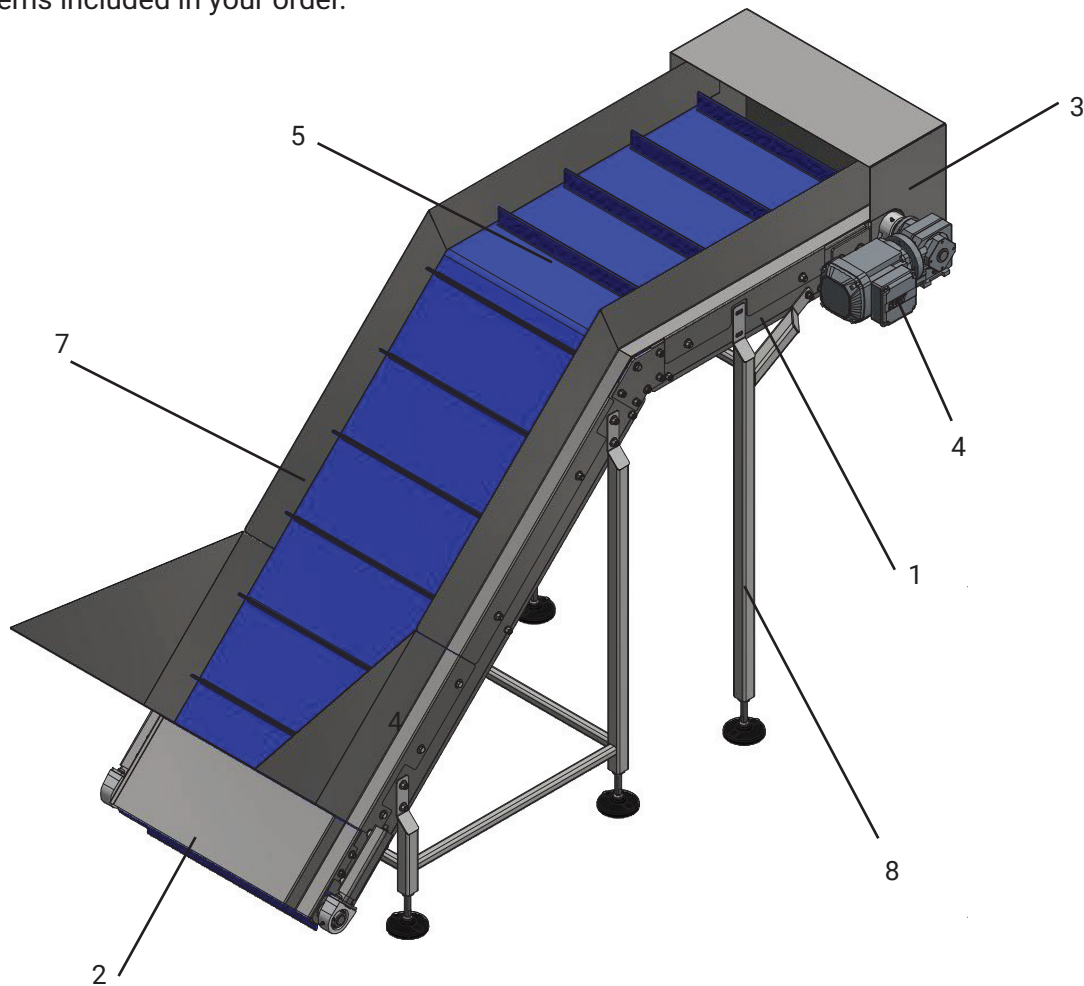
CIC -	CleanMove Flat Belt Conveyor
CFC -	CleanMove Flat Belt Curve Conveyor
CCB -	CleanMove Cleated Belt Conveyor
CIC -	CleanMove Incline Conveyor
CMP -	CleanMove Plastic Modular Belt Conveyor
CCM -	CleanMove Cleated Plastic Modular Belt Conveyor
CIM -	CleanMove Incline Plastic Modular Belt Conveyor
CRM -	CleanMove Radius Plastic Modular Belt
CTF -	CleanMove Flop Top Chain Conveyor
CRM -	CleanMove Curved Flat Top Chain Conveyor

# Technical Documentation

## CIC-200

### 3.2 Conveyor Components

The CIC-200 has many typical conveyor components. Below is a description of the basic parts and options for the CIC-200 conveyor. The items you receive will vary based on your actual purchase order. Items may appear different on your model based on your particular order requirements. Consult your approval drawing for specific items included in your order.



*Your model will vary.*

#### Typical Components

- 1) Conveyor Frame
- 2) Idler End
- 3) Drive End - **serial number plate mounted here**
- 4) Motor, Gearbox, or Gearmotor
- 5) Belt
- 6) Controller (Not Shown)
- 7) Side Rails
- 8) Support Stand

## 4 WARRANTY INFORMATION

---

### Limited Warranty

mk North America, Inc. (MKNA) offers a COMPLETE ONE YEAR WARRANTY from the date of delivery, to the original purchaser of the MKNA equipment (CUSTOMER), to be free from defects in material and workmanship; under normal use and with proper installation, maintenance and cleaning.

Additionally MKNA offers a LIMITED 10 YEAR WARRANTY on all equipment that MKNA is the original manufacturer of, to be free from defect and workmanship.<sup>1</sup>

This warranty is extended by MKNA only to CUSTOMER, and is non-transferable. All warranty requests shall be made by CUSTOMER.

MKNA will replace or repair, at our factory or any other location we designate<sup>2</sup>, any defective part within the warranty period and without charge. It is at MKNA's sole discretion whether to repair or replace. CUSTOMER will provide MKNA with a prompt written notice of the defect, including the serial number of the unit (when applicable) and the date of delivery.

At MKNA's request CUSTOMER will return all defective parts for evaluation at MKNA. MKNA will provide CUSTOMER with a return goods authorization number (RGA#). No parts will be returned without a RGA#. The RGA# must clearly be marked on all labels, packages and packing slips.

CUSTOMER shall pay all costs for packaging, shipping, duties and/or any other related costs in the sending or receiving of parts. CUSTOMER is responsible for all labor associated with sending or receiving of parts.

MKNA PROVIDES NO WARRANTY OF MERCHANTABILITY OR FITNESS FOR A PARTICULAR PURPOSE; UNLESS IT IS AGREED TO BY MKNA AND CUSTOMER IN WRITING PRIOR TO PLACEMENT OF ORDER. Such agreement requires approval of MKNA Management.

UNDER NO CIRCUMSTANCES SHALL MKNA BE HELD LIABLE FOR DAMAGES OR LIABILITY FOR LOSS OF PRODUCTION, PRODUCT, EQUIPMENT OR PROFITS OR LIABILITY FOR DIRECT, INCIDENTAL, INDIRECT, SPECIAL OR CONSEQUENTIAL DAMAGES OR ANY DAMAGES TO PERSONS OR PROPERTY, WHATSOEVER. CUSTOMER agrees that it is their sole remedy for liability of any kind, including negligence with respect to the equipment and services furnished by MKNA shall be limited to the remedies provided herein. This warranty shall not apply to any failure of the unit or its components caused by lack of maintenance and/or improper maintenance, incorrect adjustments, misuse or unreasonable use or exposure to chemicals and/or environments which the unit is not designed for. Unauthorized modification of the unit or the use of non-MKNA replacement parts and building components voids this warranty.

<sup>1</sup> The limited 10 year warranty does not apply to equipment and components manufactured by others. Such equipment and components are subject to any limitation contained in the original manufacturer's warranty and include, but are not limited to: bearings, belts, casters, controllers, motors and pneumatic devices.

<sup>2</sup> No work will be performed by MKNA or an MKNA factory authorized service representative at the site of installation unless in MKNA's opinion it is impractical for Customer to remove and return the defective part to MKNA's factory.

EXCEPT AS EXPRESSLY STATED HEREIN, THERE ARE NO WARRANTIES, EXPRESSED OR IMPLIED, BY OPERATION OF LAW OR OTHERWISE, OF THE EQUIPMENT OR SERVICES FURNISHED BY MKNA OR FACTORY AUTHORIZED SERVICE REPRESENTATIVE. THERE ARE NO WARRANTIES WHICH EXTEND BEYOND THE DESCRIPTION ON THE FACE HEREOF.

mk North America, Inc. reserves the right to change, modify or discontinue products and/or specifications with or without notice.

All of mk North America, Inc. products are covered by this warranty.


# Technical Documentation

## CIC-200

### 5 SAFETY REQUIREMENTS

**READ AND UNDERSTAND ALL OF THESE WARNINGS PRIOR TO OPERATING EQUIPMENT.**

**CAUTION**




Read this manual before operating conveyors.

**CAUTION**



Never operate or service equipment under the influence of drugs and/or alcohol.

**CAUTION**



Lock out power before servicing the conveyor.


**WARNING**



Do NOT operate conveyors without guards in place.


Severe injury can occur.

**IMPORTANT**




Conveyors must be installed so that they are square and level – across the belt. Failure to install conveyors correctly may cause premature equipment failure and/or product damage.

**WARNING**



Do not operate conveyors in an explosive environment.

**DANGER**



Moving equipment can cause severe injury or death.

Do NOT touch moving parts. Lock out power before servicing.


**WARNING**



Gearmotors will be hot. Do NOT touch.

Severe injury can occur.


**DANGER**



Climbing, sitting, walking or riding on the conveyor at any time could result in severe injury or death.


**KEEP OFF!**

**DANGER**



Always support conveyor sections prior to loosening stands or supports. Loosening stands or supports can cause the conveyor to fall creating a crush hazard.

**NOTICE**



All work should be done by qualified professionals. This includes electricians for all wiring.



## 6 WEAR ITEMS & MAINTENANCE

---

6.1	Important Notes About Wear Items & Maintenance	9
6.2	CIC-200, Head Drive Specific Items	10

### 6.1 Important Notes About Wear Items & Maintenance

The following information regarding life of the wear items and service or adjustment intervals of the functional elements are only GUIDELINES. Conveyors are application-specific products whose life expectancy can vary depending on their relative loads and speeds, and which can be significantly influenced by environmental factors.

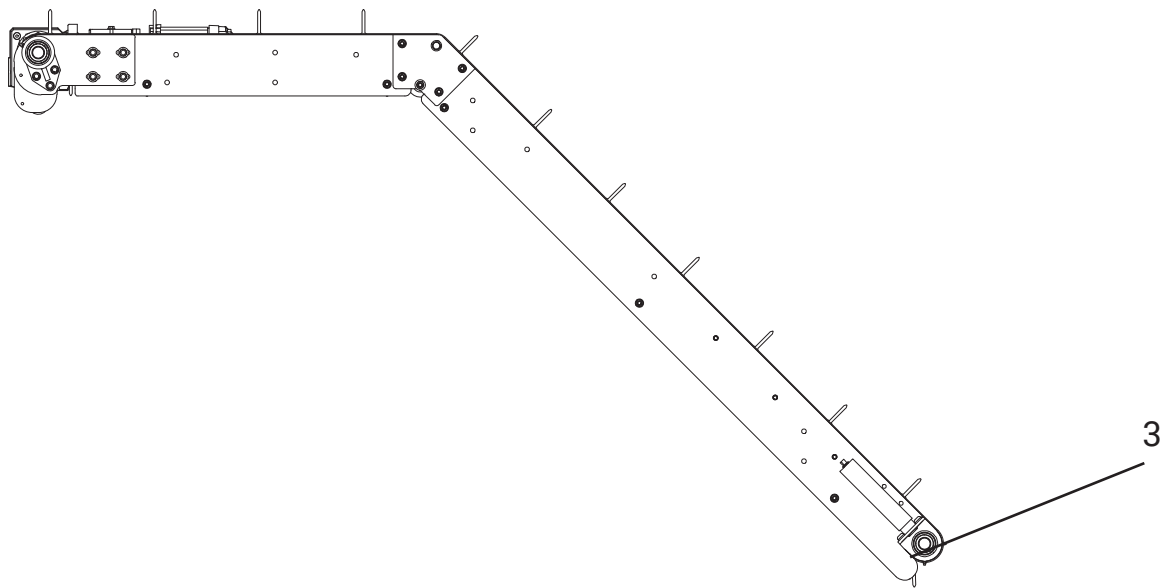
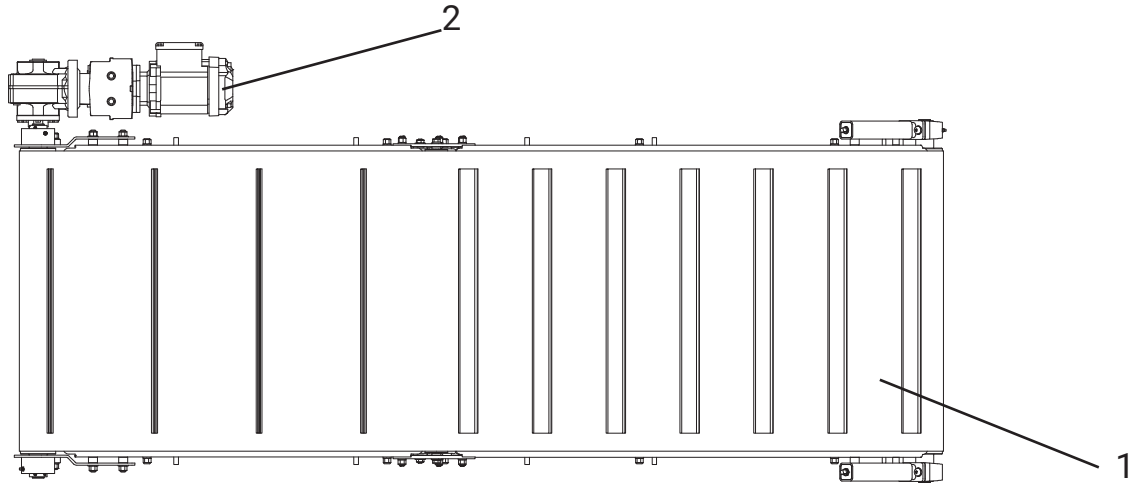
- All moving components and screw connections should be checked every 6 months.
- All safety-relevant components should be part of a regularly scheduled weekly inspection
- The proper function of these components must be confirmed at all times.
- Do NOT operate conveyors if safety-relevant components are damaged or missing.
- Ensure that conveyor is kept clean and hygienic as required by your regulating industries and governments.

# Technical Documentation CIC-200

## 6 WEAR ITEMS & MAINTENANCE

(CONT.)

### 6.2 CIC-200



*NOTE: Not all items shown in all views for clarity.*

(Cont.)

## 6 WEAR ITEMS & MAINTENANCE

(CONT.)

### 6.2 CIC-200 (Cont.)

#### Maintenance Work

Position	Description	Action*	Interval in Hours	Lubricant
1	Belt	I	500 Hours (Max. 3 Months)	
		C	As required by your regulations	
		R	Replace if wear visible	
2	Gearmotor	I	Service & Maintenance per manufacturer's documentation	
3	Bearing	I, L	CLEAN ENVIRONMENTS: 1,000 Hours (Max. 6 Months)	Lithium-based NLGI #2 grease
		I, L	DIRTY ENVIRONMENTS: 160 Hours (Max. 1 Month)	
		I, L	VERY DIRTY ENVIRONMENTS: 40 Hours (Max. 1 Week)	
		R	Replace is wear is visible	

\* LEGEND: *Inspect, Replace, Tension, Clean, Lubricate (grease).*

#### Wear Items

For specific wear items for each conveyor please refer to spare parts lists as associated with the drawing number for each specific conveyor.

# Technical Documentation

## CIC-200

### 7 CONVEYORMAINTENANCE-BELT TENSIONING, TRACKING & REPLACEMENT



All work to be performed by qualified personnel only.  
**Disconnect power before replacing the belt.**

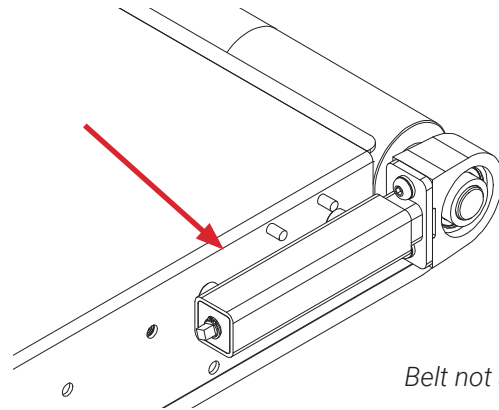
Tracking is done while the conveyor is in operation. Use extreme caution of all pinch, pull and other hazards.

#### Belt Tensioning and Tracking

The same threaded rod is used for belt tensioning and tracking. When tracking the belt work in small increments, quarter turns, and let the belt run between each adjustment. Belt tension should be 0.3% Example: Mark out 1,000 mm in belt length, pull idler assembly till this measurement becomes 1,003 mm. Once tension is achieved, replace cap nuts.

For tensioning apply equal adjustment to each threaded rod - one per side of the conveyor.

A  $\frac{3}{8}$ -inch flat wrench should be used.



*Belt not shown for clarity.*

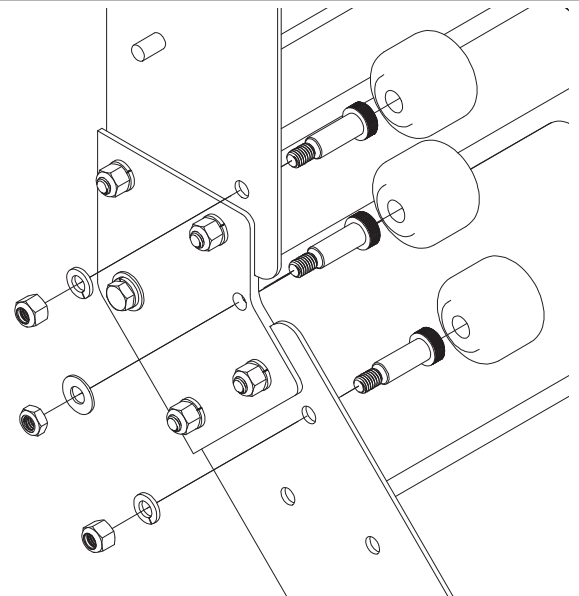
#### Belt Replacement

Prior to replacing the belt the bend assemblies need to be removed from the conveyor. Remove all three rollers using a  $\frac{1}{4}$ -inch Allen wrench.

Belts should only be replaced with open ended belts, which are spliced in the field by trained belting specialists.

Replace bend assemblies in reverse order.

Belts should be tracked and tensioned, see above; after being installed.







## 8 NOTES & CONTACT INFORMATION (CONT.)

---

### 8.2 Contacting mk North America, Inc.



Email: [sales@mknorthamerica.com](mailto:sales@mknorthamerica.com)



Phone: (860) 769-5500

# Technical Documentation

## CIC-200

**mk North America, Inc.**  
an mk Technology Group Company  
105 Highland Park Drive  
Bloomfield, CT 06002, USA  
Phone: (860) 769-5500

[www.mknorthamerica.com](http://www.mknorthamerica.com)  
[sales@mknorthamerica.com](mailto:sales@mknorthamerica.com)

All rights reserved, information subject to change without notice. © 2024 mk North America, Inc.

REV. 2024.01.10