

Chapter 9 Conveyor Technology Accessories



Stands

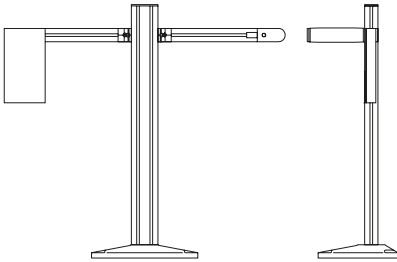
Stand Versions and Conveyor	
Stand Fastening Elements	280
Pad Options	281
Single Stands	282
Stand, Lightweight	285
Stand, Medium-Weight	289
Stand, Heavy-Duty	293

Stands

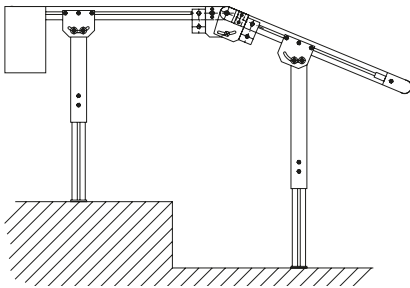
Stand Versions

mk delivers the right stand system for every type of conveyor. For system stability, please take into account the ratio of height to width, the centre of gravity of the load and other influences. We would be happy to advise you on the optimal configuration.

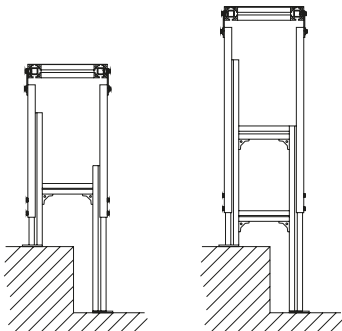
Example of a single stand



Example of a height-adjustable stand



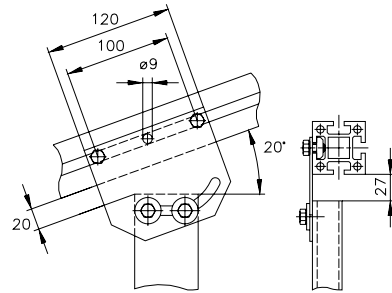
Example of a stand with a special design



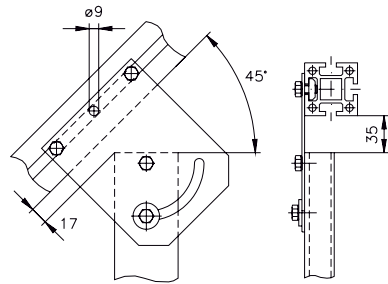
Conveyor Stand Fastening Elements

The conveyor stand fastening elements connect the conveyor to the stand. Various fastening elements with different adjustment angles can be selected.

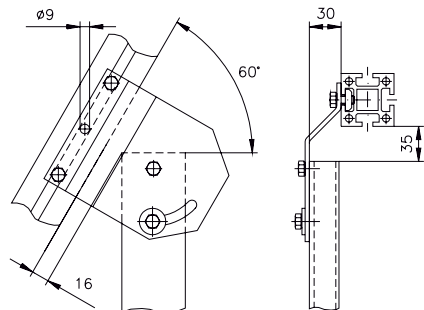
Example of fastening variant A, 20°



Example of fastening variant B, 45°



Example of fastening variant C, 60°

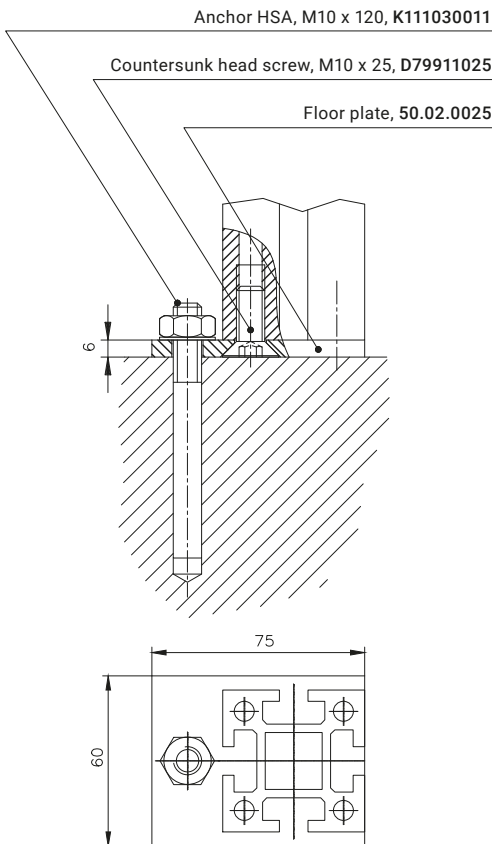




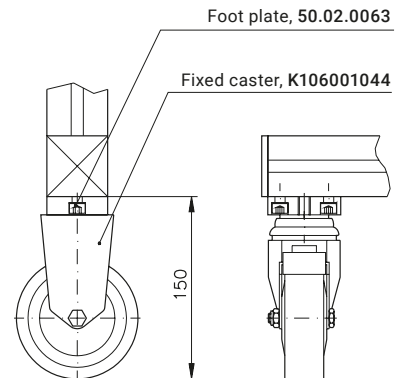
Pad Options

A variety of pad options are available depending on the stand that is selected. Examples include leveling feet, floor plates for anchoring or fixed castors and swivel casters.

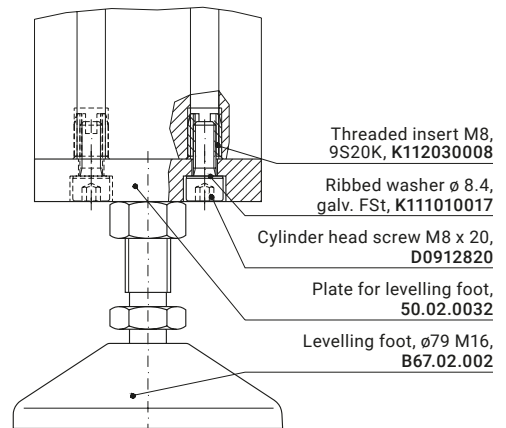
Example of a floor plate



Example of fixed and swivel casters, type A



Example of a levelling foot, ø79 M16



Stands

Single Stands

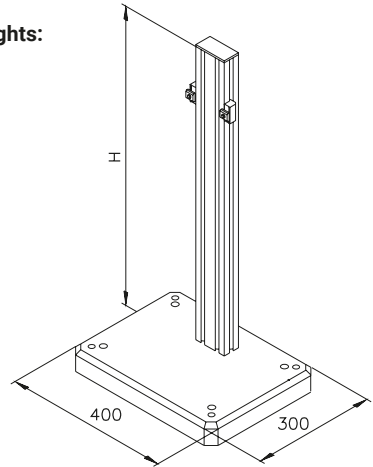
Stand 54.80

Single stand with profile mk 2040.41 for conveyors up to 250 mm wide. Can be used for belt conveyors GUF-P MINI and GUF-P 2000 and modular belt conveyor MBF-P 2040.

Ident. no. B67.04.080

Standard heights:

- H 500 mm
- H 750 mm
- H 1000 mm
- H 1250 mm
- H 1500 mm



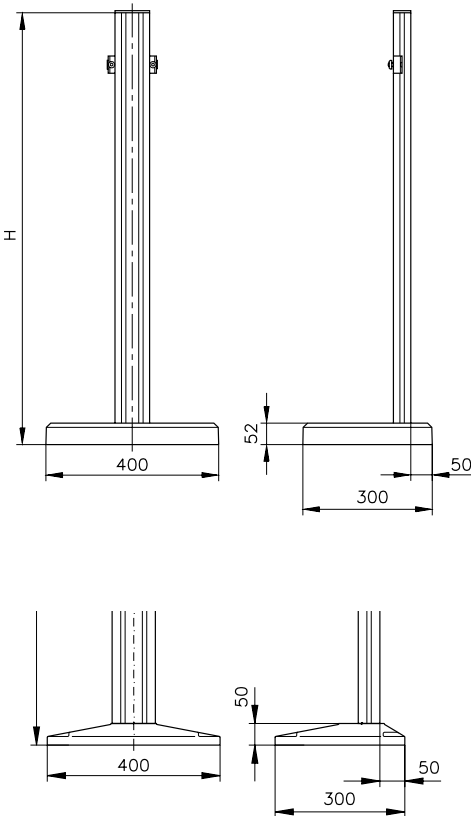
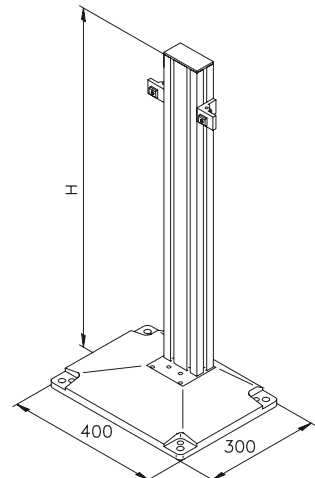
Stand 51.2

Single stand with profile mk 2004 for conveyors up to 250 mm wide. Can be used for belt conveyors GUF-P MINI, GUF-P 2000 and MBF-P 2040.

Ident. no. B67.04.002

Standard heights:

- H 500 mm
- H 750 mm
- H 1000 mm
- H 1250 mm
- H 1500 mm





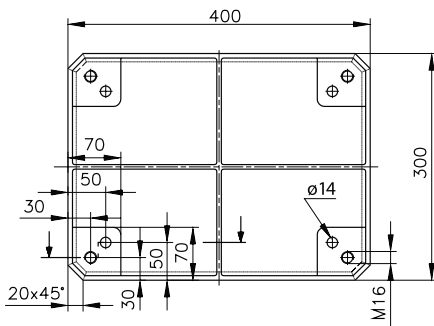
Single Stands

Floor fastening element for single stand

As floor fastening elements for single stands, base plates ensure stability, come with a black paint finish as standard and have a defined drilling pattern for facilitating anchoring to the floor.

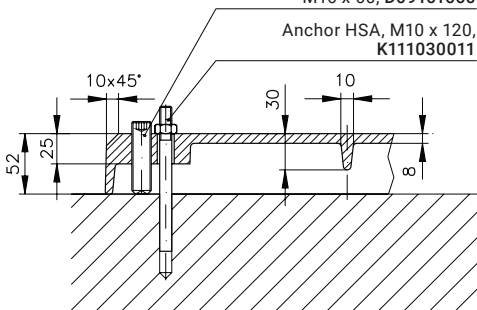
Base Plate 7, 50.02.0089

Grey cast-iron material, painted black



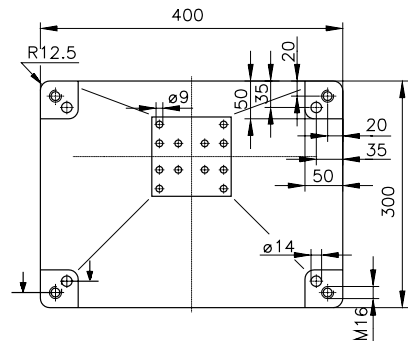
Adjusting screw DIN 916, 8.8 galv.,
M16 x 60, D09161660

Anchor HSA, M10 x 120,
K111030011



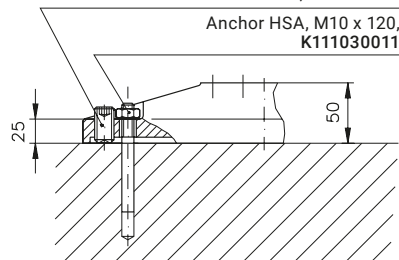
Base Plate 1, 50.02.0023

Grey cast-iron material, painted matt black



Adjusting screw DIN 916, 8.8 galv.,
M16 x 40, D09161640

Anchor HSA, M10 x 120,
K111030011



Stands

Single Stands

Stand 52.5

Height of single stand can be adjusted with mk 2000 profile. Can be used for flat top chain conveyor SBF-P 2254.

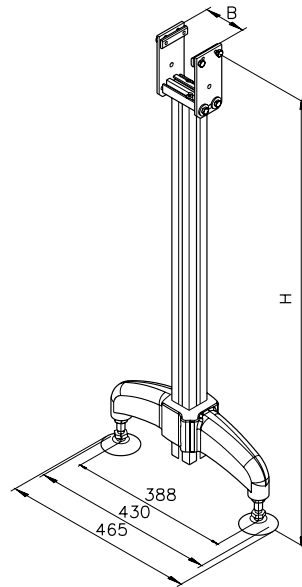
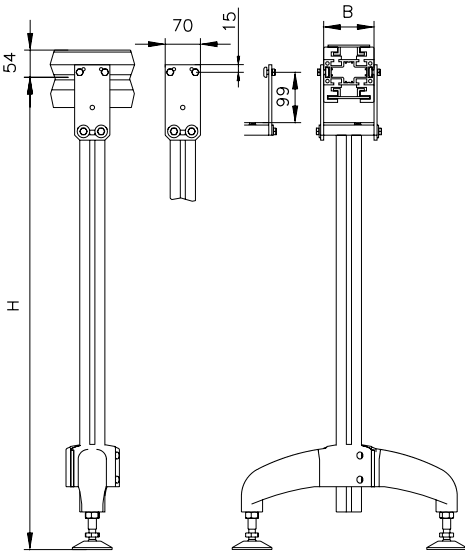
Ident. no. B67.05.008

Standard heights:

H 500 mm – 1500 mm
± 50 mm

Standard width:

B 100 mm
B 130 mm
B 205 mm



Stand, Lightweight

Stand 55.1

Lightweight stand in simple H design with mk 2040.40 profile (light duty). Can be used for virtually all conveyor systems, except curved conveyors and incline conveyors.

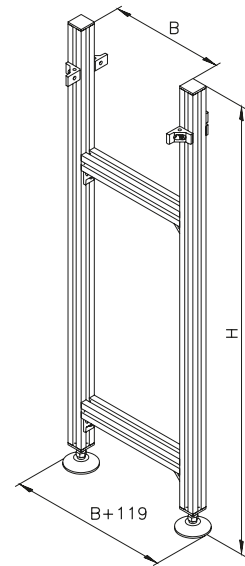
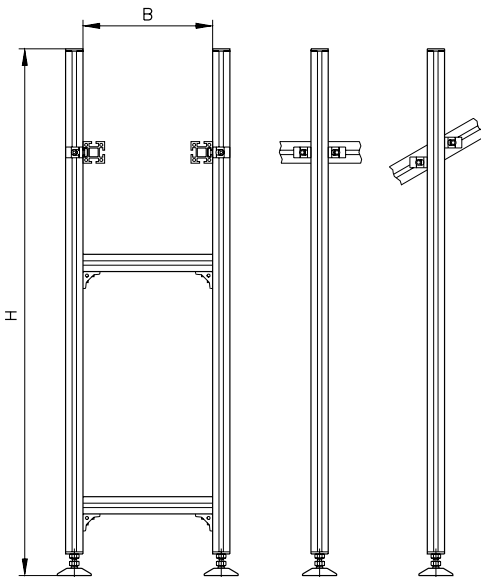
Ident. no. B67.06.011

Standard heights:

H 500 mm
 H 750 mm
 H 1000 mm
 H 1200 mm

Standard width:

B = 200 – 1200 mm



Stands

Stand, Lightweight

Stand 53.1

Lightweight height-adjustable stand in H design with mk 2001 profile. Can be used for virtually all conveyor systems, except curved conveyors and incline conveyors.

Ident. no. B67.06.001

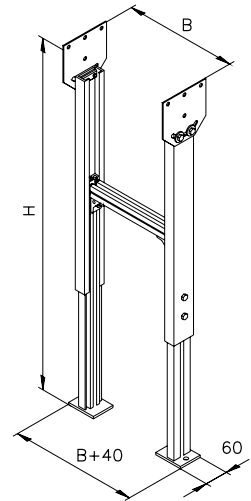
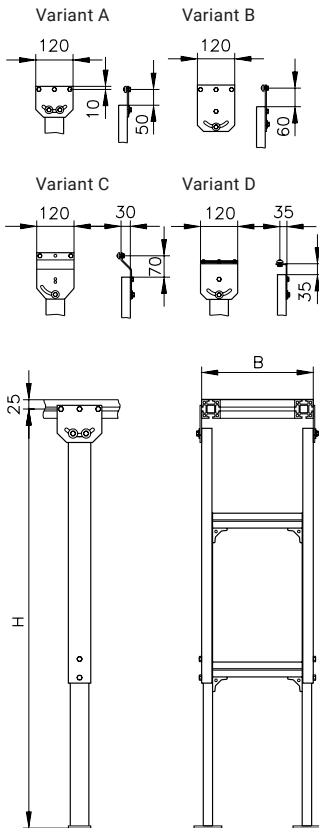
Standard heights with adjustment range:

- H 325 mm ± 25 mm
- H 400 mm ± 50 mm
- H 550 mm ± 100 mm
- H 700 mm ± 150 mm

Standard width:

B = 200 – 800 mm

For H 700 mm or higher,
uses 2 traverses



Stand, Lightweight

Stand 53.11

Lightweight height-adjustable stand with base traverse in H design with mk 2001 profile. Can be used for virtually all conveyor systems, except curved conveyors and incline conveyors. The stand is suitable for fixed casters and swivel casters.

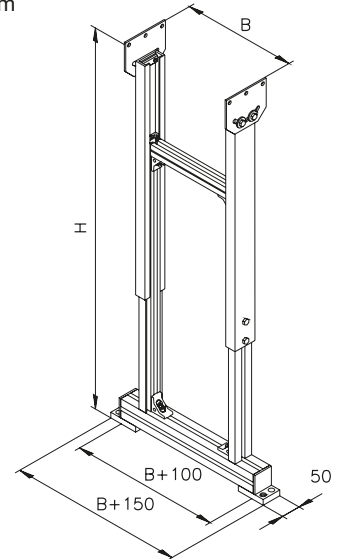
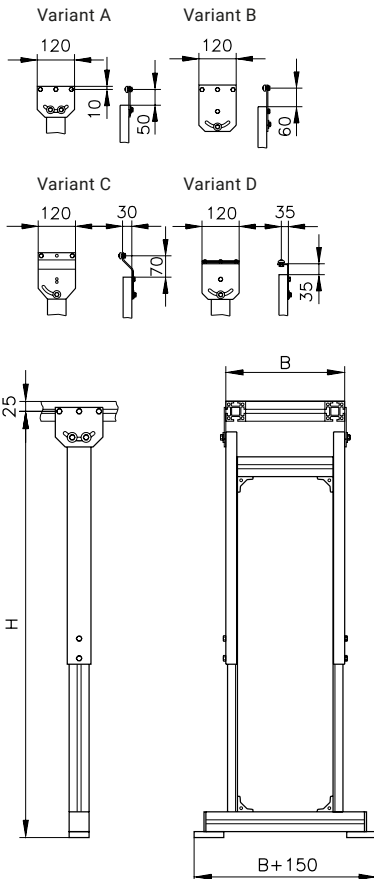
Ident. no. B67.06.002

Standard heights with adjustment range:

- H 400 mm ± 25 mm
- H 450 mm ± 25 mm
- H 500 mm ± 50 mm
- H 600 mm ± 50 mm
- H 700 mm ± 100 mm
- H 800 mm ± 150 mm

Standard width:

B = 100 – 500 mm



Stands

Stand, Lightweight

Stand 53.11, Mobile

Lightweight height-adjustable stand with base traverse in mobile H design with mk 2001 profile. Can be used for virtually all conveyor systems, except curved conveyors and incline conveyors.

Ident. no. B67.06.100

Standard heights with adjustment range:

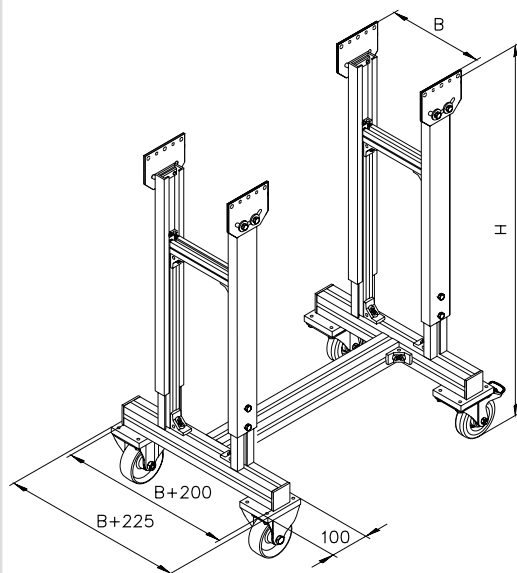
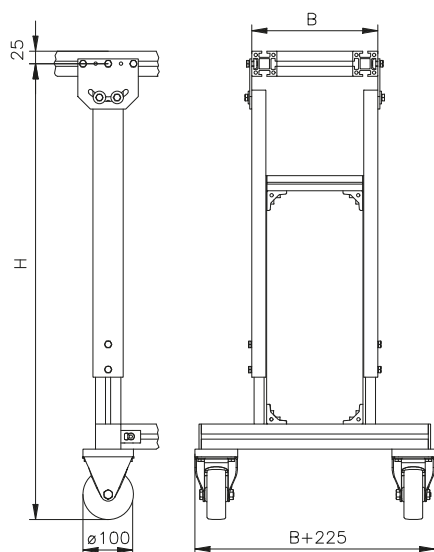
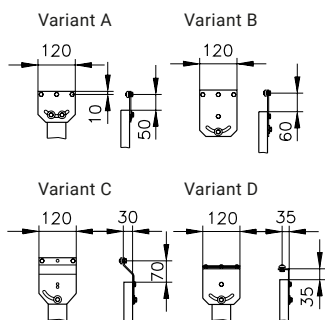
H 600 mm ± 25 mm

H 700 mm ± 50 mm

H 800 mm ± 100 mm

Standard width:

B = 100 – 500 mm



Stand, Medium-Weight

Stand 53.2

Medium-weight height-adjustable stand in H design with mk 2014 profile. Can be used for virtually all conveyor systems, except curved conveyors and incline conveyors.

Ident. no. B67.06.003

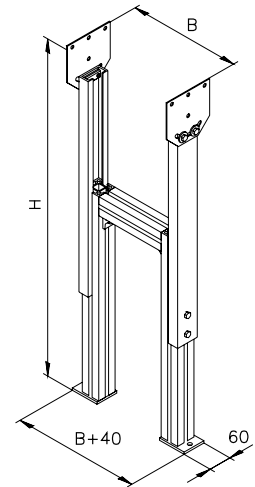
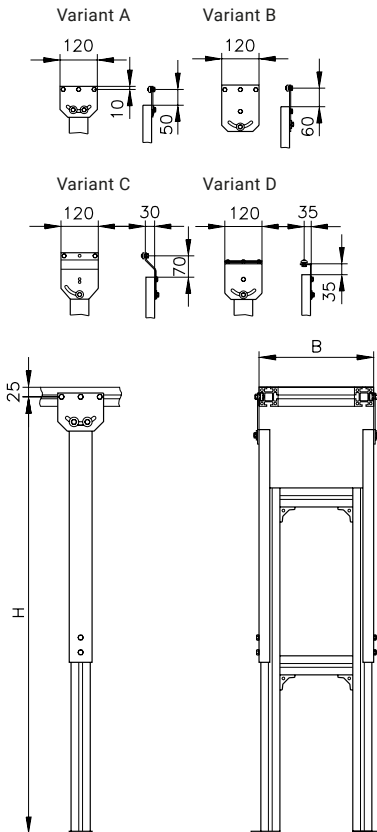
Standard heights with adjustment range:

- H 325 mm ± 25 mm
- H 400 mm ± 50 mm
- H 550 mm ± 100 mm
- H 700 mm ± 150 mm
- H 850 mm ± 200 mm
- H 1000 mm ± 200 mm
- H 1200 mm ± 200 mm

Standard width:

B = 200 – 1500 mm

For H 700 mm or higher,
 uses 2 traverses



Stands

Stand, Medium-Weight

Stand 53.21

Medium-weight height-adjustable stand with base traverse in H design with mk 2014 profile. Can be used for virtually all conveyor systems, except curved conveyors and incline conveyors. The stand is suitable for fixed casters and swivel casters.

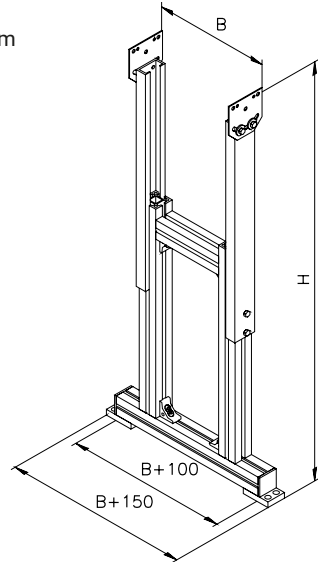
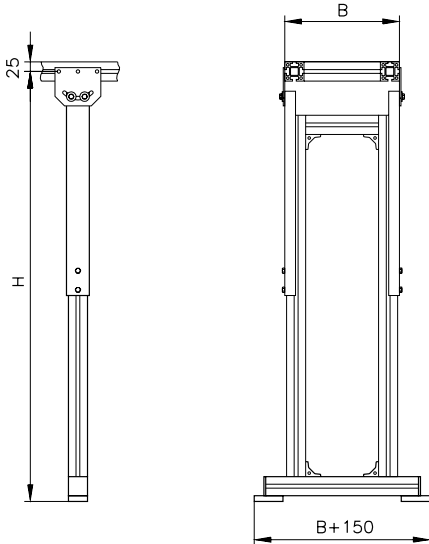
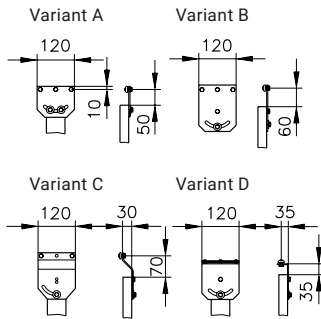
Ident. no. B67.06.004

Standard heights with adjustment range:

- H 400 mm ± 25 mm
- H 450 mm ± 25 mm
- H 500 mm ± 50 mm
- H 600 mm ± 50 mm
- H 700 mm ± 100 mm
- H 800 mm ± 150 mm
- H 1000 mm ± 200 mm
- H 1200 mm ± 200 mm

Standard width:

B = 200 – 800 mm





Stand, Medium-Weight

Stand 53.21, Mobile

Medium-weight height-adjustable stand with base traverse in mobile H design with mk 2014 profile. Can be used for virtually all conveyor systems, except curved conveyors and incline conveyors.

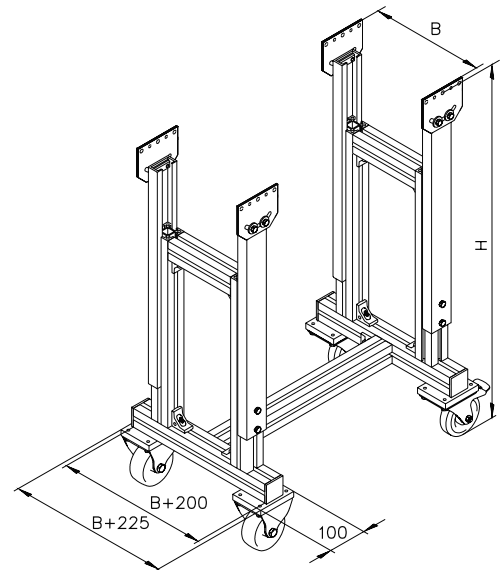
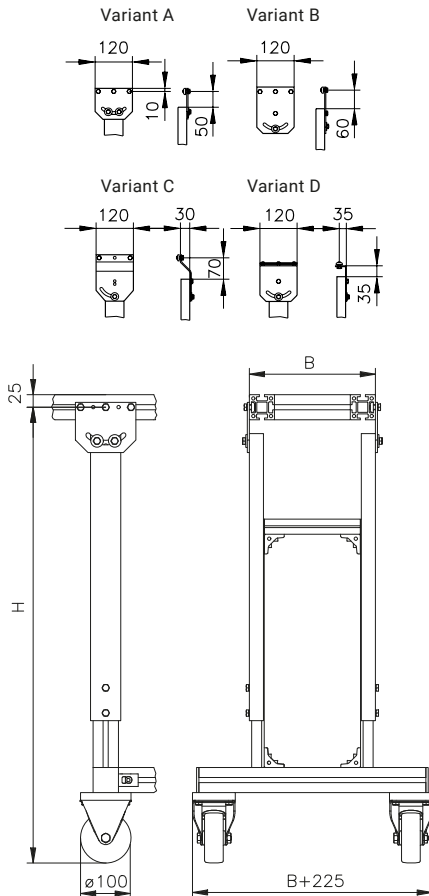
Ident. no. B67.06.101

Standard heights with adjustment range:

- H 600 mm ± 25 mm
- H 700 mm ± 50 mm
- H 800 mm ± 100 mm
- H 1000 mm ± 150 mm
- H 1200 mm ± 200 mm

Standard width:

B = 200 – 800 mm



Stands

Stand, Medium-Weight

Stand 53.32

Medium-weight height-adjustable stand with base traverse in H design with mk 2014 profile. Can be used for virtually all conveyor systems, except curved conveyors and incline conveyors.

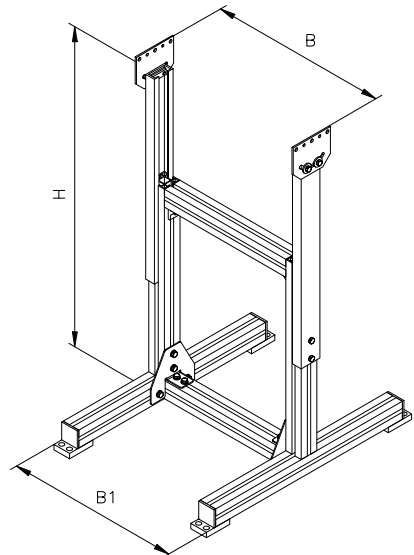
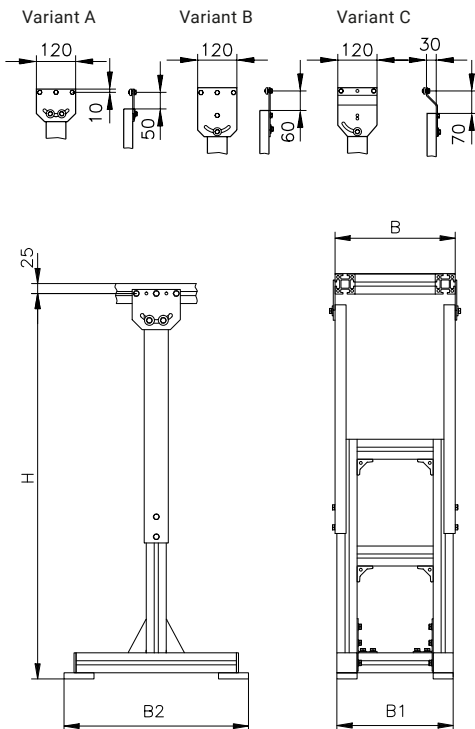
Ident. no. B67.06.016

Standard heights with adjustment range:

- H 450 mm \pm 25 mm
- H 500 mm \pm 50 mm
- H 600 mm \pm 50 mm
- H 700 mm \pm 100 mm
- H 800 mm \pm 150 mm
- H 1000 mm \pm 200 mm

Standard width:

- B = 300 – 1000 mm
- B1 = B-10
- B2 = 460, 660 mm





Stand, Heavy-Duty

Stand 31

Heavy-duty height-adjustable stand in H design with mk 2031 profile. Can be used for virtually all conveyor systems, except curved conveyors and incline conveyors.

Ident. no. B67.03.002

Standard heights with adjustment range:

- H 325 mm ± 25 mm
- H 400 mm ± 50 mm
- H 550 mm ± 100 mm
- H 700 mm ± 150 mm
- H 850 mm ± 200 mm
- H 1000 mm ± 250 mm
- H 1150 mm ± 300 mm
- H 1500 mm ± 300 mm
- H 2000 mm ± 300 mm

Standard width:

B = 500 – 2000 mm

For H 1150 mm or higher, uses 2 traverses

Variant B

