

» For applications with high load capacities and wide products. «

The torsion-resistant conveyor frame based on the mk 2251 profile (50 x 80 mm) allows for high load capacities. Drive and tail components are also designed according to these load capacities.

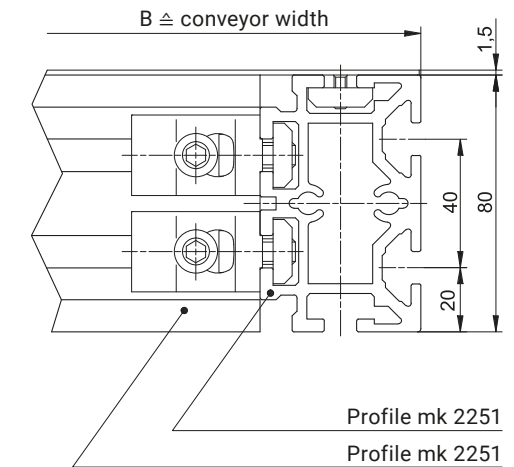
The \varnothing 85 mm driving roller used in this conveyor system also features excellent grip for transmitting the motor power to the belt. A major benefit of this system is its nearly unlimited selection of different belt types for use in combination with cleats and side walls.

In addition to these benefits, the two t-slots (10 mm slot width) on each side give you maximum flexibility for integrating the conveyor system into existing systems or for attaching stands, side rails and other accessories. Other high-quality features include crowned rollers for simple belt adjustment and a wear-resistant slider bed made from galvanised steel.

Benefits of the GUF-P 2041

- For high load capacities and wide product
- Built with the profile mk 2251 for a high load capacity and torsion-resistant structure
- Wide range of different drives, tails, stands and belt types
- Optionally available with a compact drum motor and knife edge
- Flexible operation in reverse, accumulated and cycling mode

Cross Section

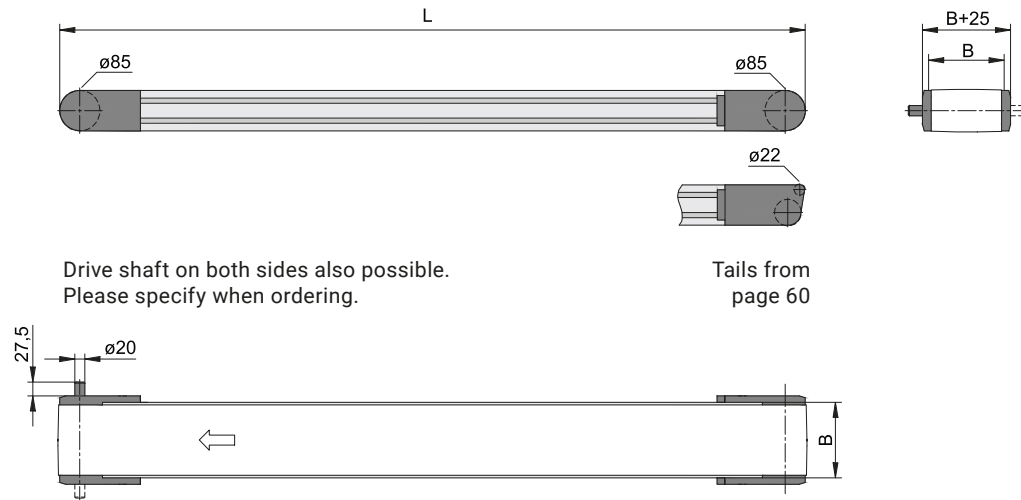




AA – Head drive without motor

B20.40.009

The AA version with no motor is suitable for connection to an existing conveyor with a drive, either in parallel or in series. This allows you to operate multiple conveyors with only one motor. The compact conveyor frame design makes it easier to integrate the conveyor into existing systems. The driving roller $\varnothing 85$ mm has a crowned roller for simple belt control. Operation with cleated belts is possible with this version. The $\varnothing 20$ mm shaft journal with a length of 27.5 mm is designed with a DIN 6885 key.



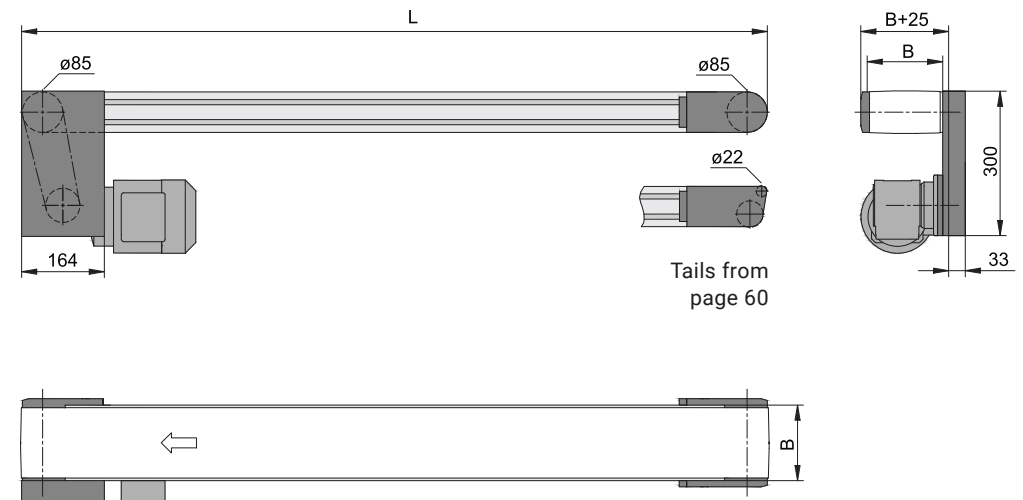
Technical data

Conveyor length L	individual from 540 to 10000 mm	
Conveyor width B	200 to 1200 mm (in 100 mm increments)	others on request
Belt width	B-15 mm	from p. 98
Drive and speed	up to $v=60$ m/min	p. 12
Stand and side rail		from p. 286
Standard total load	up to 150 kg	p. 20
Standard distributed load	up to 50 kg/m	p. 20

AC – Standard head drive

B20.40.001

The compact conveyor frame design with the most popular drive options makes it easier to integrate the conveyor into existing systems. The $\varnothing 85$ mm driving roller ensures excellent transmission of the motor power. Operation with cleated belts is possible with this version.



Technical data

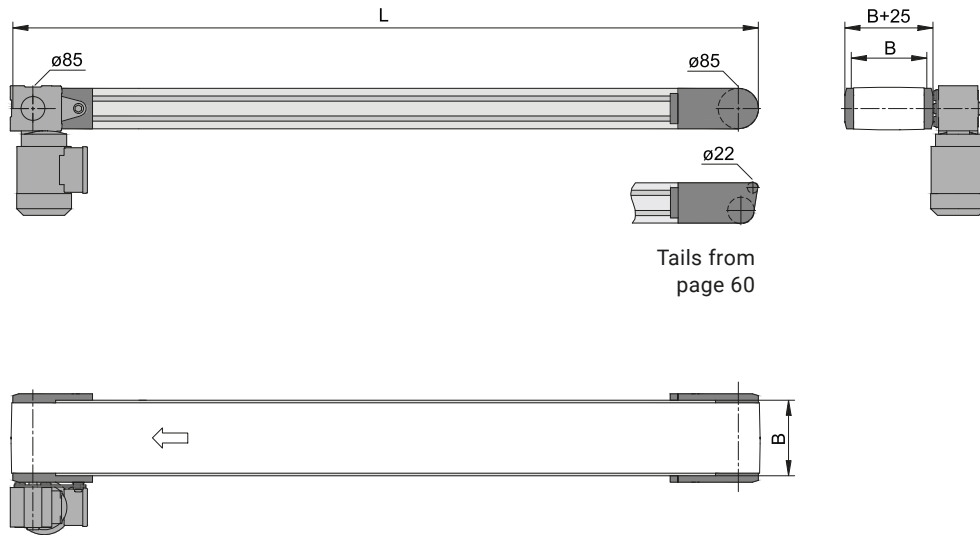
Conveyor length L	individual from 540 to 10000 mm	
Conveyor width B	200 to 1200 mm (in 100 mm increments)	others on request
Belt width	B-15 mm	from p. 98
Drive location	discharge end left/right, underneath/above, infeed on request	
Drive and speed	up to $v=60$ m/min	p. 12
Stand and side rail		from p. 286
Standard total load	up to 150 kg	p. 20
Standard distributed load	up to 50 kg/m	p. 20



AF – Direct head drive

B20.40.008

Since the motor is fitted directly onto the drive shaft, the space requirements and maintenance effort for this drive version are reduced to a minimum.



Tails from page 60

Technical data

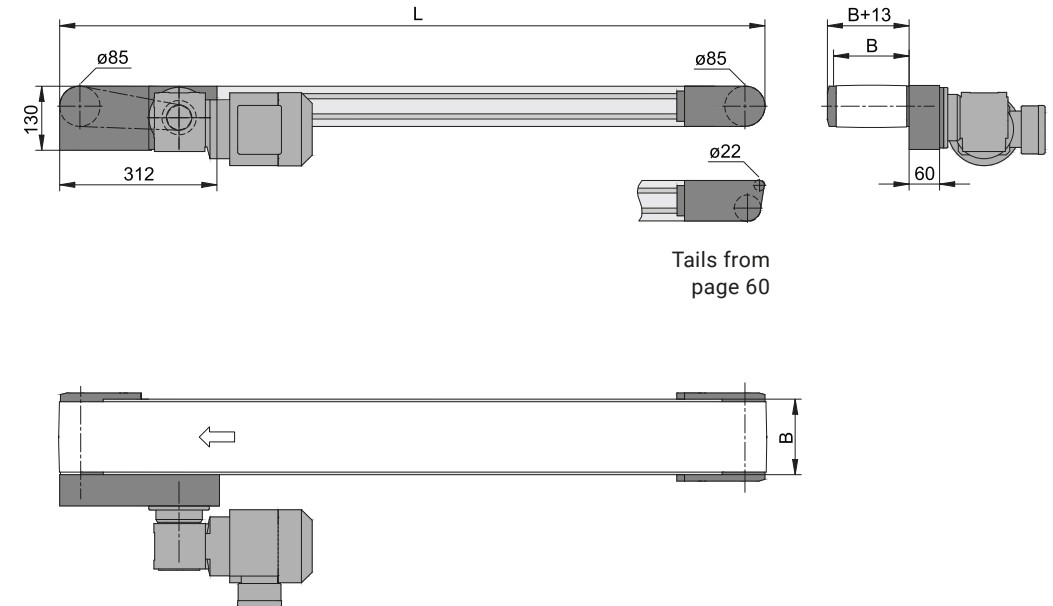
Conveyor length L	individual from 560 to 10000 mm	
Conveyor width B	200 to 1200 mm (in 100 mm increments)	others on request
Belt width	B-15 mm	from p. 98
Drive location	discharge end left/right; infeed end on request	
Drive and speed	4.7; 6; 7.5; 9; 11; 13; 14.5; 18.5; 22; 25; 35; 43.5 and 54.5 m/min	p. 12
Stand and side rail		from p. 286
Standard total load	up to 100 kg	p. 20
Standard distributed load	up to 50 kg/m	p. 20



AS – Head drive, laterally on the outside, compact

B20.40.003

The drive positioned laterally on the outside allows the total height of the conveyor to be restricted to a minimum. The ø 85 mm driving roller ensures excellent transmission of the motor power. Operation with cleated belts is possible with this version.



Tails from page 60

Technical data

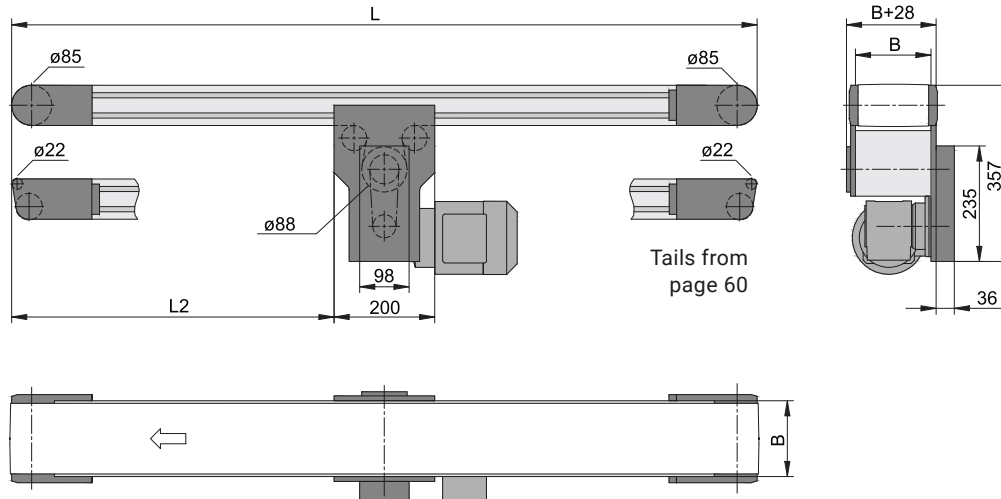
Conveyor length L	individual from 700 to 10000 mm	
Conveyor width B	200 to 1200 mm (in 100 mm increments)	others on request
Belt width	B-15 mm	from p. 98
Drive location	discharge end left/right; infeed end on request	
Drive and speed	up to v=60 m/min	p. 12
Stand and side rail		from p. 286
Standard total load	up to 150 kg	p. 20
Standard distributed load	up to 50 kg/m	p. 20



BC – Lower belt drive, standard

B20.40.004

The compact conveyor frame design and the ability to freely select the drive position over the entire length of the conveyor make it easier to integrate the conveyor into existing systems. Limited reverse operation is available on request. Knife edges can be configured on both the infeed and discharge end. Operation with cleated belts is not possible with this version.



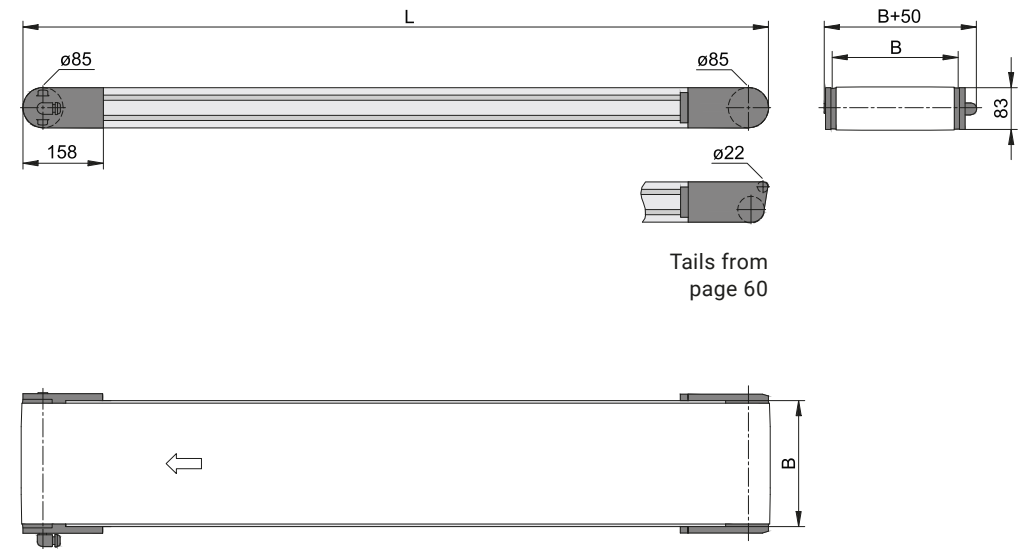
Technical data

Conveyor length L	individual from 800 to 10000 mm	
Conveyor width B	200 to 1200 mm (in 100 mm increments)	others on request
Belt width	B-15 mm	from p. 98
Drive location	left/right underneath	
Drive and speed	up to v=60 m/min	p. 12
Stand and side rail		from p. 286
Standard total load	up to 150 kg	p. 20
Standard distributed load	up to 50 kg/m	p. 20

CA – Drum motor

B20.40.005

The drive version CA with drum motor is the most compact option of the conveyors in the GUF-P 2041 system. Since the motor is integrated into the driving roller, no obstructing edges protrude over the conveyor frame structure. The conveyor can therefore easily be integrated into existing systems.

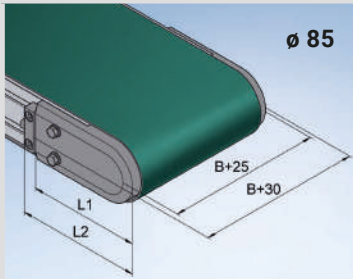


Technical data

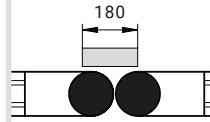
Conveyor length L	individual from 540 to 3000 mm	
Conveyor width B	200, 250, 300, 350, 400, 500, 600, 700, 800, 900 and 1000 mm	others on request
Belt width	B-15 mm	from p. 98
Drive location	discharge end left/right	
Drive and speed	up to v=60 m/min	p. 12
Stand and side rail		from p. 286
Standard total load	up to 55 kg	p. 20
Standard distributed load	up to 50 kg/m	p. 20

Tail 01

B80.07.001



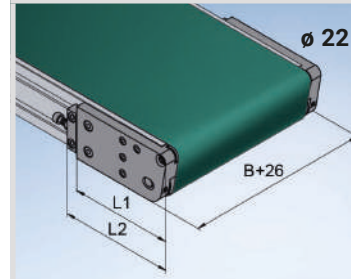
- Crowned roller, \varnothing 85 mm
- Ball bearing 2RS1
- Belt tensioning and adjustment on the side using the tensioning elements
- Min. length of the conveyed product for transfer of 180 mm



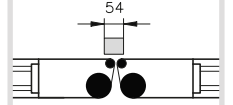
Conveyor length L	Conveyor width B	L1	L2	Head part material
$\leq 3,000$ mm	$\leq 1,200$ mm	160 mm	175 mm	Aluminium
$> 3,000$ mm	$\leq 1,200$ mm	250 mm	265 mm	Aluminium

Tail 13

B80.07.010



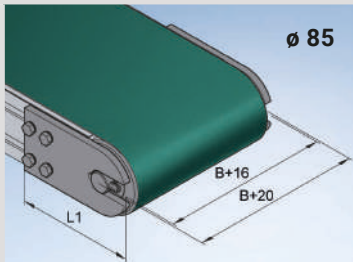
- Roller, \varnothing 22 mm
- Ball bearing 2RS1
- Belt tensioning on the side using tensioning elements
- Adjustment using tracking roller
- Min. length of the conveyed product for transfer of 54 mm
- Note the min. bend radius for the desired belt



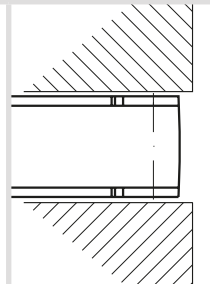
Conveyor length L	Conveyor width B	L1	L2	Head part material
$\leq 3,000$ mm	$\leq 1,200$ mm	158 mm	173 mm	Aluminium, short
$> 3,000$ mm	$\leq 1,200$ mm	220 mm	235 mm	Aluminium, long

Tail 02

B80.07.009



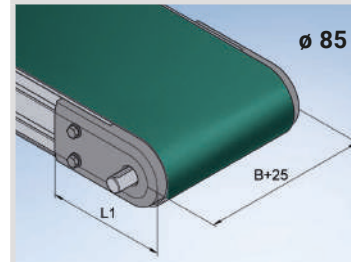
- \varnothing 85 mm cylindrical roller
- Ball bearing 2RS1
- Belt tensioning and adjustment from the front using tensioning axles
- Min. conveyed product length of 180 mm for transfer
- Only for outputting conveyed product in longitudinal direction



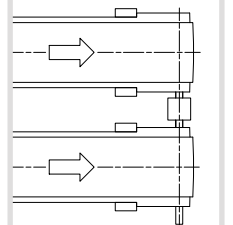
Conveyor length L	Conveyor width B	L1	L2	Head part material
$\leq 3,000$ mm	$\leq 1,200$ mm	150 mm	—	Aluminium

Tail 19

B80.07.002



- Crowned roller, \varnothing 85 mm
- Ball bearing 2RS1
- \varnothing 20 shaft journal, length of 27.5 mm, keyway in accordance with DIN 6885
- Connection of two conveying lines through one drive
- Output shaft available on the left, right or both sides



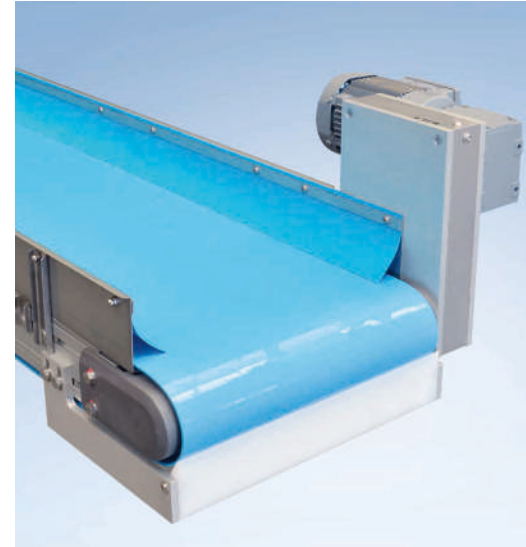
Conveyor length L	Conveyor width B	L1	L2	Head part material
$\leq 3,000$ mm	$\leq 1,200$ mm	160 mm	—	Aluminium
$> 3,000$ mm	$\leq 1,200$ mm	250 mm	—	Aluminium



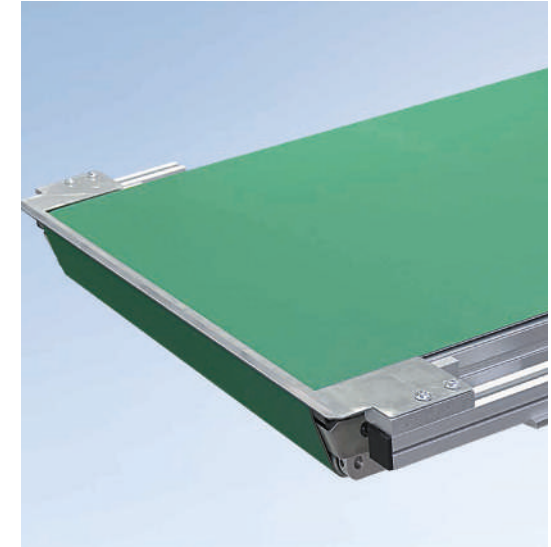
Belt conveyor GUF-P 2041 with 01 ø 85 tail



Belt conveyor GUF-P 2041 CA with ø 85 mm drum motor



Belt conveyor GUF-P 2041 with side rail with belt flap



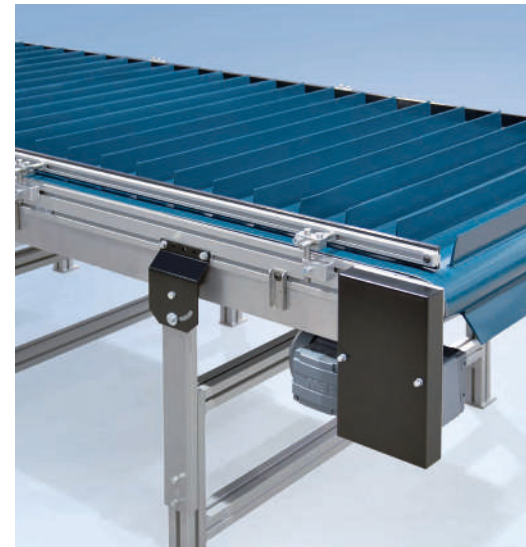
Belt conveyor GUF-P 2041 with tail 13 and customer-specific transfer sheet



Belt conveyor GUF-P 2041 with centre drive, knife edge and side rail



Belt conveyor GUF-P 2041 in special vacuum conveyor design



Belt conveyor GUF-P 2041 as inclined conveyor with transverse cleats and side rail



Belt conveyor GUF-P 2041 with knife edge and height-adjustable stand

Custom applications from page 404