



Technical
Documentation

PNEUMATIC DEVICES

Technical Documentation Pneumatic Devices

1	General Information	3
2	Warranty Information	4
3	Contacting mk North America	4
4	Safety Requirements	5
5	Technical Information	6

1 GENERAL INFORMATION

1.1 Foreword

Congratulations on purchasing your pallet system pneumatic stops and locates from mk North America. Our more than 25 years experience in material handling allows us to offer robust solutions with long life and reliable operation. We strive to make the best products in the industry even better and we are committed to making sure our customers get top notch support before, during, and after each and every sale.

1.2 The importance of reading your manual

Inside this manual you will find the instructions on how to maintain your pneumatic devices properly, as well as maximize its performance. Please take the time to read this manual and familiarize yourself with these instructions. These instructions will help assure a long product life that requires a minimum amount of service and keeps your pneumatic devices working at their maximum capacity.

1.3 If you need assistance

If you need assistance there are a variety of ways to get it. You can contact our customer service team Monday through Friday, 8am-5pm (Eastern Time) at (860) 769-5500. You can also visit our website for additional information and technical documentation at www.mknorthamerica.com. In addition, your local representative can provide support in many instances.

1.4 When your shipment arrives

- 1) Check your shipment
 - a) If you have not already done so, visually inspect the shipping crate/container for any damage caused during shipment.
Retain shipping contain if damage is present.
 - b) Carefully unpack the crate/container making sure to inspect the components for damage that may have occurred inside the packaging materials.
 - c) If you find any damage, please contact the carrier and mk North America, Inc.
 - d) Lastly, check the contents against the packing slip provided by mk for any discrepancies. If you should find any, please contact mk North America, Inc.

- 2) Locate your ordered items
 - a) Review the packing slip against your purchase order.

Technical Documentation Pneumatic Devices

2 WARRANTY INFORMATION

Pneumatics are warranted to be free of operational defects and suitable for use within published application guides lines for a period of (1) year from the documented date of installation and start-up. Furthermore, the warranty period is additionally limited to a maximum of 5 million cycles for pneumatically actuated products or to a maximum of 3 million cycles for electrically actuated products.

The provided warranty does not apply to those components defined as perishable or intended wear parts nor does the warranty apply in cases where the goods are damaged due to improper installation, application or consequential damage.

3 CONTACTING MK NORTH AMERICA



Email: sales@mknorthamerica.com



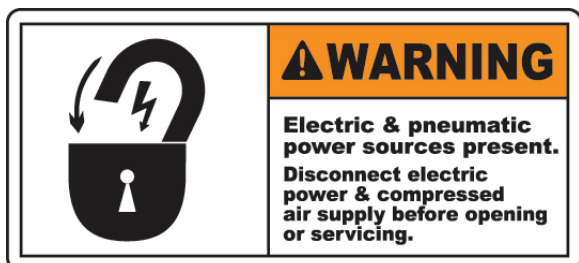
Phone: (860).769.5500



Fax: (860).769.5505

4 SAFETY REQUIREMENTS (CON'T)

READ AND UNDERSTAND ALL OF THESE WARNINGS PRIOR TO OPERATING EQUIPMENT.



- OBSERVE ALL MANUFACTURER'S INSTRUCTIONS
- Maintenance and repair work of pneumatic equipment may only be performed by specially trained personnel!
- De-pressurize the machine's pneumatic equipment before starting any maintenance or repair work.
- Hose lines should be replaced regularly during preventative maintenance even without visible damages.
- Before restarting the machine after maintenance or repair work, ensure that all screws are tightened and removed covers, strainers or filters are reinstalled.
- After completing maintenance or repair work and before restarting the production ensure that:
 - All required maintenance and repair materials, tools and equipment are removed from the work area.
 - All safety devices of the system are working properly!

Technical Documentation

Pneumatic Devices

5 TECHNICAL INFORMATION

5.1	Important Notes	9
5.2	SD Dampened Stop	10
5.3	SU Undamped Stop	12
5.4	RS Return Stop	14
5.5	AD Angle Dampener	16
5.6	PA 2010 Lift & Locate	18

5.1 Important Notes

All pneumatic devices featured in this document are maintenance free.

Some of the devices featured allow for adjustable dampening. Adjusting the dampening should only be done by qualified professionals.

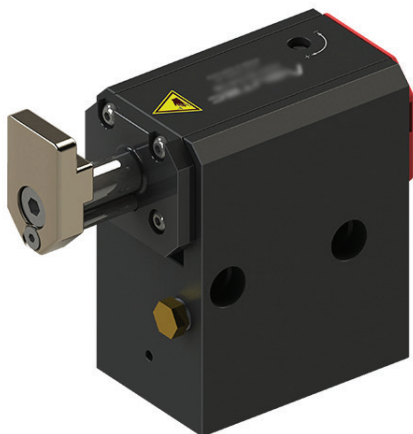
If the location of the device needs to be moved or similar work done to the line - ensure that all devices are de-pressurized and disconnected from the air supply first.

Depending on your specific order requirements these pneumatic devices may or may not have come equipped with various accessories, including but not limited to fittings and sensors.

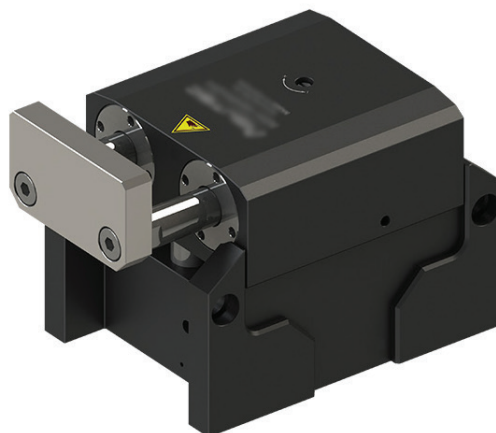
Never operate in temperatures above 176°F.

5 TECHNICAL INFORMATION (CONT.)

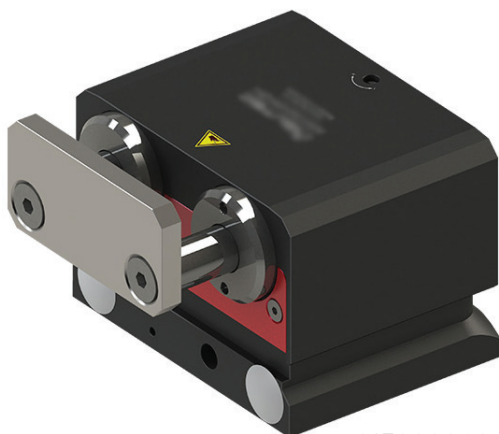
5.2 SD Dampened Stop



K503021061



K503021161



K503021263

Technical Notes:

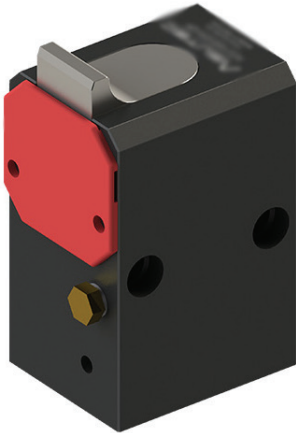
- Designed to stop and separate one or more pallets (within limits outlined below).
- These are cushioned stops and feature self-adjusting dampening or they can be adjusted via the dial on top of the stop.
- Stops are maintenance-free
- Use with treated compressed air 4 - 8 bar
- Connection:
 K503021061, K503021161: M5
 K503021263 G1/8"
- K503021161 and K503021263 are protected against dust and liquids

mk Part #	Description	Speed (fpm)						Load Capacity (lbs.)
		20	30	40	60	75	90	
K503021061	DAMPENING PALLET STOP ASM-60	7-125	7-85	7-75	7-65	7-50	7-40	
K503021161	DAMPENING PALLET STOP ASM-160	11-330	11-230	11-230	11-210	11-125	11-85	
K503021263	DAMPENING PALLET STOP ASM-260	22-550	22-500	22-450	22-400	22-250	22-160	

Technical Documentation Pneumatic Devices

5 TECHNICAL INFORMATION (CONT.)

5.3 SU Undamped Stop



K503011401

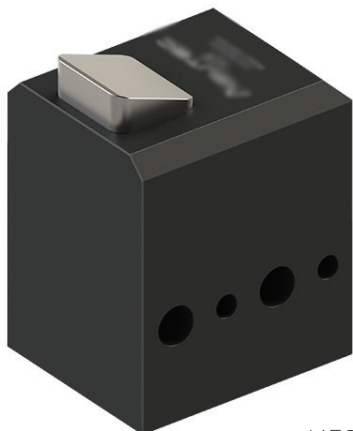
Technical Notes:

- Designed to stop and accumulate one or more pallets (within limits outlined below)
- These are un-cushioned stops and do not including a dampening feature.
- Stops are maintenance-free
- Use with treated compressed air 4 - 8 bar
- Connection: M5

mk Part #	Description	Speed (fpm)						Load Capacity (lbs.)
		20	30	40	60	75	90	
K503011401	UNDAMPED PALLET STOP ASU-400	850	650	550	440	240	145	

5 TECHNICAL INFORMATION (CONT.)

5.4 RS Return Stop



K503031001

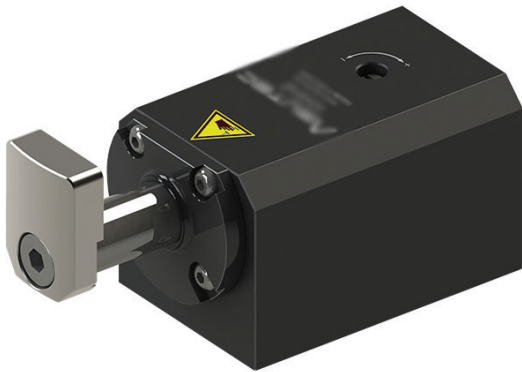
Technical Notes:

- Designed to prevent pallets from rebounding when they engage with SD and SU stops
- Maintenance free
- Minimum pallet weight (regardless of speed): 7 lbs.
- Maximum pallet weight (regardless of speed): 2,600 lbs.

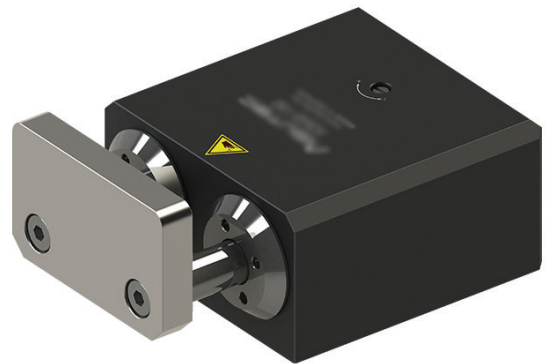
Technical Documentation Pneumatic Devices

5 TECHNICAL INFORMATION (CONT.)

5.5 AD Angle Dampener



K503061062



K503062152

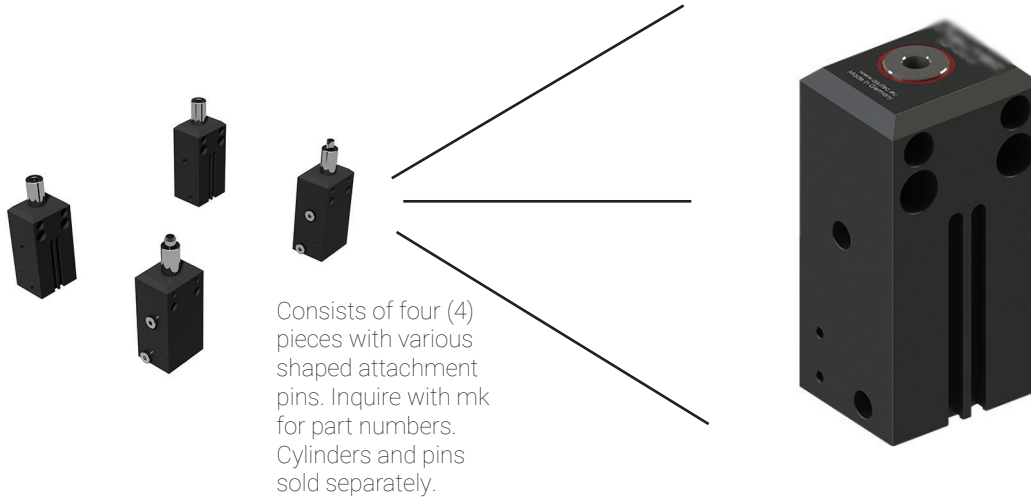
Technical Notes:

- Designed as a dampened stop for stopping pallets when they travel at a right angle to the original product flow
- These are cushioned stops and feature self-adjusting dampening or they can be adjusted via the dial on top of the stop.
- Stops are maintenance-free
- Use with treated compressed air 4 - 8 bar
- Connection: M5

mk Part #	Description	Speed (fpm)						Load Capacity (lbs.)
		20	30	40	60	75	90	
K503061062	ANGLE DAMPENER ASME-60	2-125	2-85	2-75	2-65	2-50	2-40	
K503062152	ANGLE DAMPENER ASME-150	12-330	12-220	12-200	12-200	12-120	12-80	

5 TECHNICAL INFORMATION (CONT.)

5.6 PA 2010 Lift and Locate



Technical Notes:

- Designed to lift and locate a single pallet
- Locating is done via mating bushing in pallet
- Maintenance-free
- Use with treated compressed air 4 - 8 bar
- Connection: G1/8"

Technical Documentation

PNEUMATIC DEVICES

mk North America, Inc.

an mk Technology Group Company

105-125 Highland Park Drive
Bloomfield, CT 06002, USA

Phone: (860) 769-5500

Fax: (860) 769-5505

www.mknorthamerica.com

sales@mknorthamerica.com

All rights reserved, information subject to change without notice. © 2020 mk North America, Inc.

REV. 2020.03.23